

CLOSER BODY FUNCTION ADJUSTMENT INSTRUCTIONS

ADJUSTMENT INSTRUCTIONS

SPRING POWER — As per "Spring Tension Chart" select the correct number of turns for spring adjustment nut that corresponds with the installation. Using 5/32" (4mm) allen key, turn adjustment nut full 360° clockwise turns to desired setting.

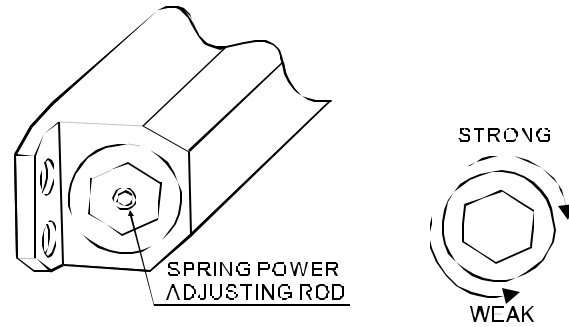
SPEED — Door closing and latching speeds are controlled by #1, #2 speed regulating screw separately. A. Clockwise turns slow the speed. B. Counterclockwise turns increase the speed.

SPRING POWER / DOOR SIZE CHART

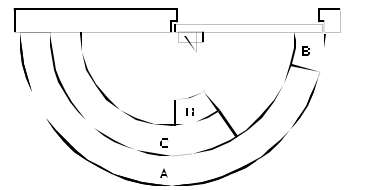
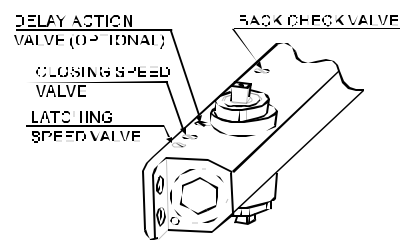
STANDARD / TOP JAMB INSTALLATION (Size 2-6)			
FULL TURNS OF SPRING ADJUSTMENT SCREW	MAXIMUM DOOR WIDTH		
	Interior door width	Exterior door width	
		Swing out	Swing in
-3	8 1/2 Pound opening force		
0	32"(813)	28"(711)	24"(610)
+1	36"(914)	32"(813)	28"(711)
+5	42"(1067)	36"(914)	32"(813)
+9	48"(1219)	42"(1067)	36"(914)
STANDARD / TOP JAMB INSTALLATION (Size 7-4)			
FULL TURNS OF SPRING ADJUSTMENT SCREW	MAXIMUM DOOR WIDTH		
	Interior door width	Exterior door width	
		Swing out	Swing in
3	5 Pound opening force		
0	32"(813)	28"(711)	24"(610)
+2	36"(914)	32"(813)	28"(711)
+10	42"(1067)	36"(914)	32"(813)
-12	MAXIMUM TURNS		

X one size power

power size reduce



SPRING POWER ADJUSTMENT — is controlled by the Hex Socket Spring Adjustment rod. Power is now set at "0" turns. To INCREASE, use a 5/32" Allen key and turn CLOCKWISE "full" 360° turns as per the spring power / Door Size Chart above.



A. CLOSING SPEED
B. LATCHING SPEED
C. BACK CHECK AREA
D. DELAY ACTION AREA (OPTIONAL)

SPEED CONTROL



BACK CHECK VALVE

INCREASE DELAY TIMES



DECREASE DELAY TIMES

DELAY ACTION (OPTIONAL)

INCREASE DELAY TIMES



DECREASE DELAY TIMES

- "CLOSING SPEED"**—control by closing speed valve.
 - Turn the closing speed valve CLOCKWISE the closing speed be slow.
 - Turn the closing speed valve COUNTER-CLOCKWISE the closing speed be fast.
- "LATCHING SPEED"**—control is the same closing speed.
- "BACK CHECK"**—control by back check valve.
 - Turn the back check valve CLOCKWISE the back check power be strong.
 - Turn the back check valve COUNTER-CLOCKWISE the back check power be weak.
- "DELAY ACTION"(OPTIONAL)**—control by delay action valve.
 - Turn the delay action valve CLOCKWISE the delay action times be increase.
 - Turn the delay action valve COUNTER-CLOCKWISE the delay action times be decrease.

INSTALLATION INSTRUCTIONS

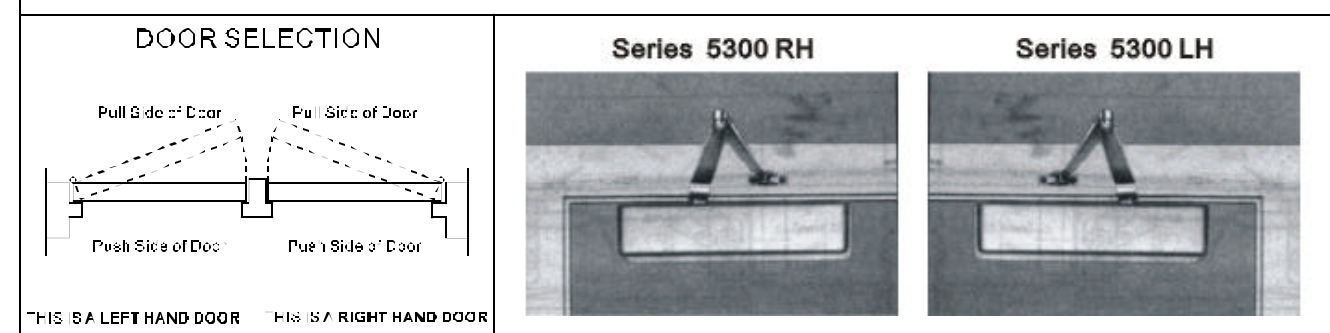
CAUTION: AN IMPROPERLY INSTALLED OR IMPROPERLY ADJUSTED DOOR CLOSER CAN CAUSE PROPERTY DAMAGE OR PERSONAL INJURY. THESE INSTALLATION INSTRUCTIONS SHOULD BE FOLLOWED TO AVOID THE POSSIBILITY OF MISAPPLICATION OR MISADJUSTMENT.

Non-Hold Open Series TC600

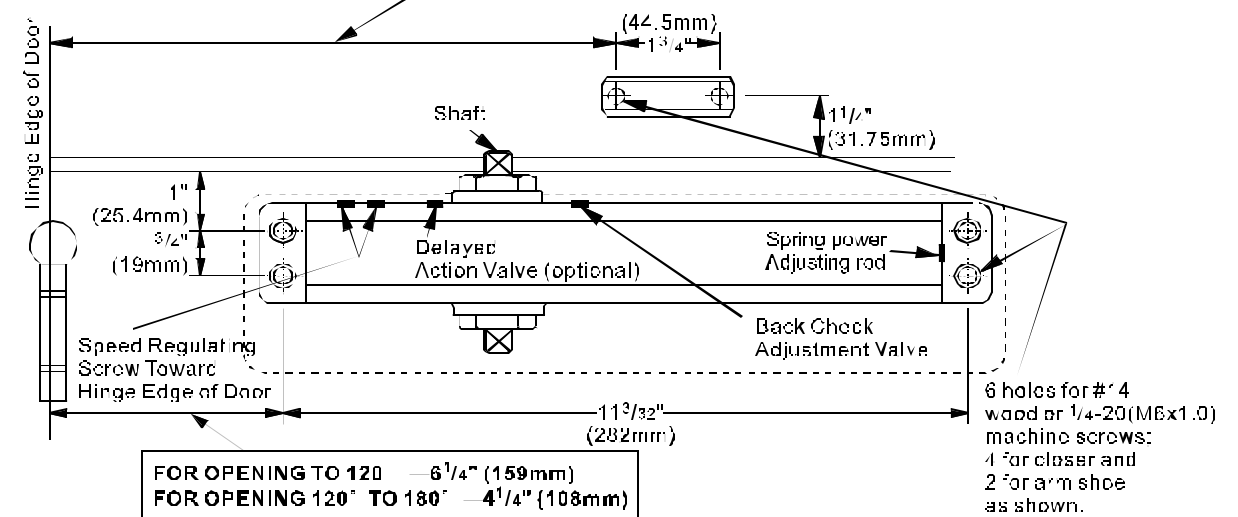
Non-Hold Open Door Closers TC600

Series can be adjusted from power size 1 thru 4 or 2 thru 6.

STANDARD INSTALLATION (ON PULL SIDE MOUNTING)



FOR OPENING TO 120 — 12" (305mm)
FOR OPENING 120 TO 180 — 10" (254mm)

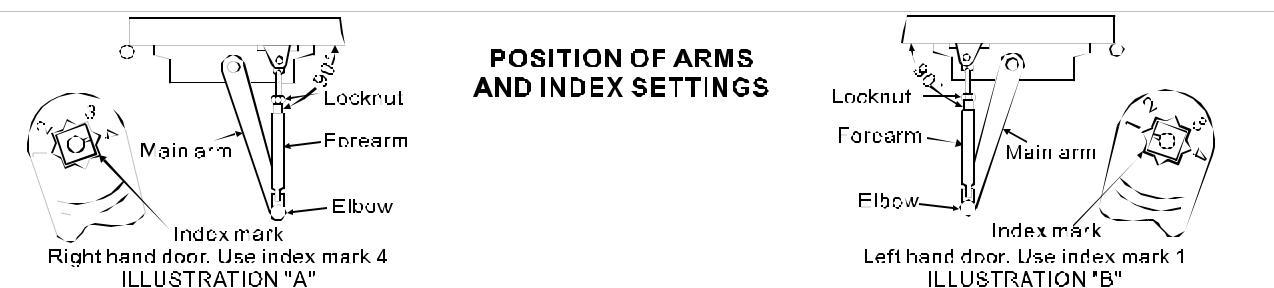


FOR OPENING TO 120 — 6 1/4" (159mm)
FOR OPENING 120 TO 180 — 4 1/4" (108mm)

INSTALLATION INSTRUCTIONS

- Select degree of opening and use dimensions shown in above template to mark four holes on door for closer and two holes on frame for arm shoe.
- Drill pilot holes in door and frame for #14 wood screws or #10 screws for 1/4-20 (M6x1.0) machine screws.
- Mount closer on door WITH SPEED REGULATING SCREW TOWARD HINGE EDGE.
- Place main arm on shaft on top of closer at proper index mark as illustrated. FOR RIGHT HAND DOOR No. 4 (illustration "A") FOR LEFT HAND DOOR No. 1 (illustration "B"). Tighten arm screw with lockwasher securely.
- Attach the arm shoe of the forearm to the frame.
- Adjust length of forearm so when it is attached to main arm it will be at a right angle (90°) to door when door is closed and assemble at elbow then tighten locknut.

POSITION OF ARMS AND INDEX SETTINGS



TOP JAMB

Installation Instruction

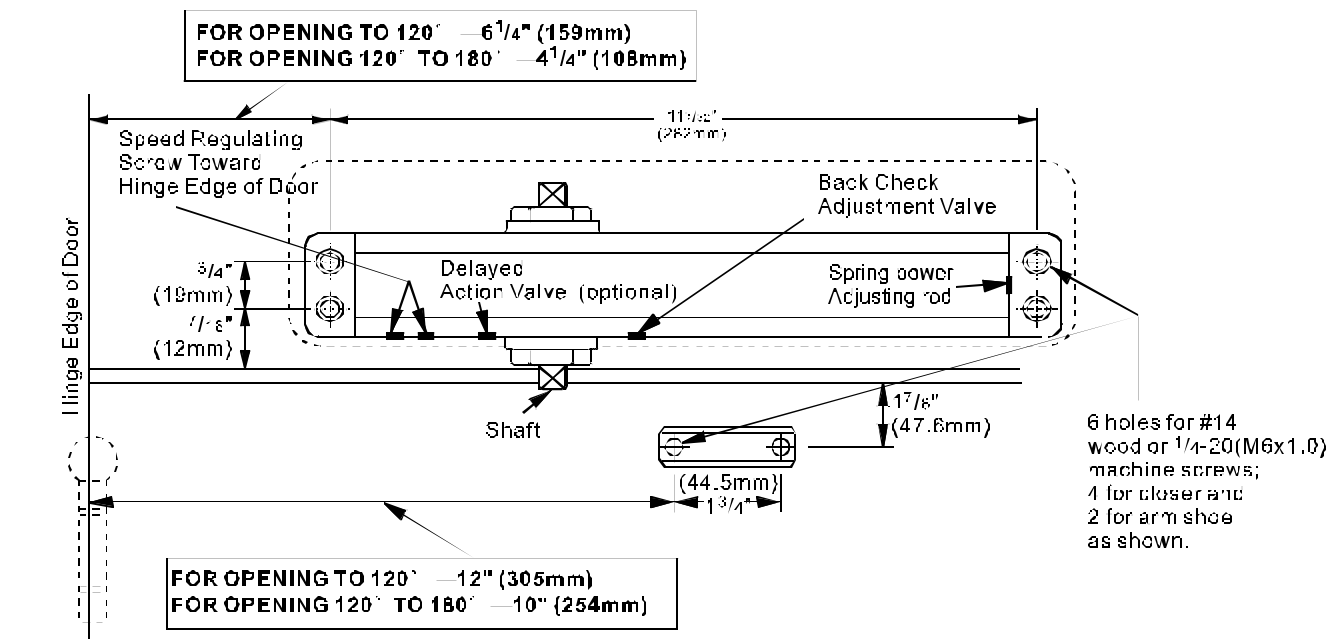
TOP JAMB INSTALLATION (ON PUSH SIDE MOUNTING)

DOOR SELECTION

THIS IS A LEFT HAND DOOR THIS IS A RIGHT HAND DOOR

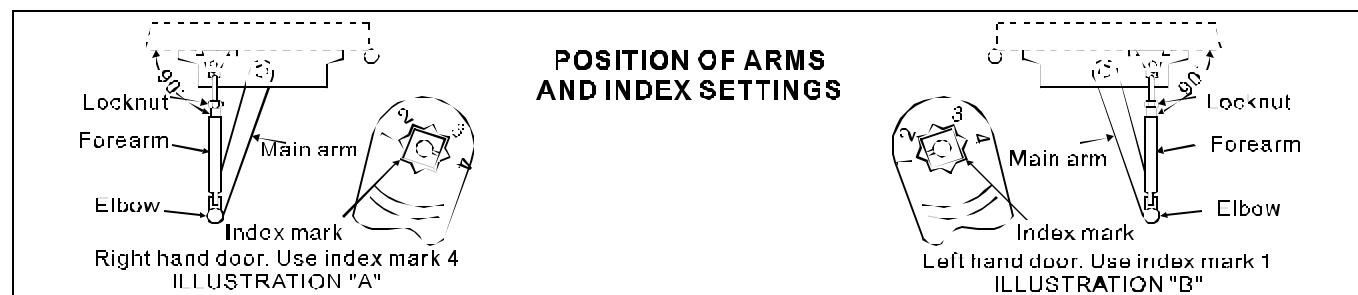
Series 5300 RH

Series 5300 LH



INSTALLATION INSTRUCTIONS

- Select degree of opening and use dimensions shown in above template to mark four holes on door for closer and two holes on frame for arm shoe.
- Drill pilot holes in door and frame for #14 wood screws or drill and tap for 1/4-20 (M6x1.0) machine screws.
- Mount closer on door WITH SPEED REGULATING SCREW TOWARD HINGE EDGE.
- Place main arm on shaft on top of closer at proper index mark as illustrated. FOR RIGHT HAND DOOR No. 4 (illustration "A") FOR LEFT HAND DOOR No. 1 (illustration "B"). Tighten arm screw with lockwasher securely.
- Attach the arm shoe of the forearm to the frame.
- Adjust length of forearm so when it is attached to main arm it will be at a right angle (90°) to door when door is closed and assemble at elbow then tighten locknut.



PARALLEL ARM

Installation Instruction

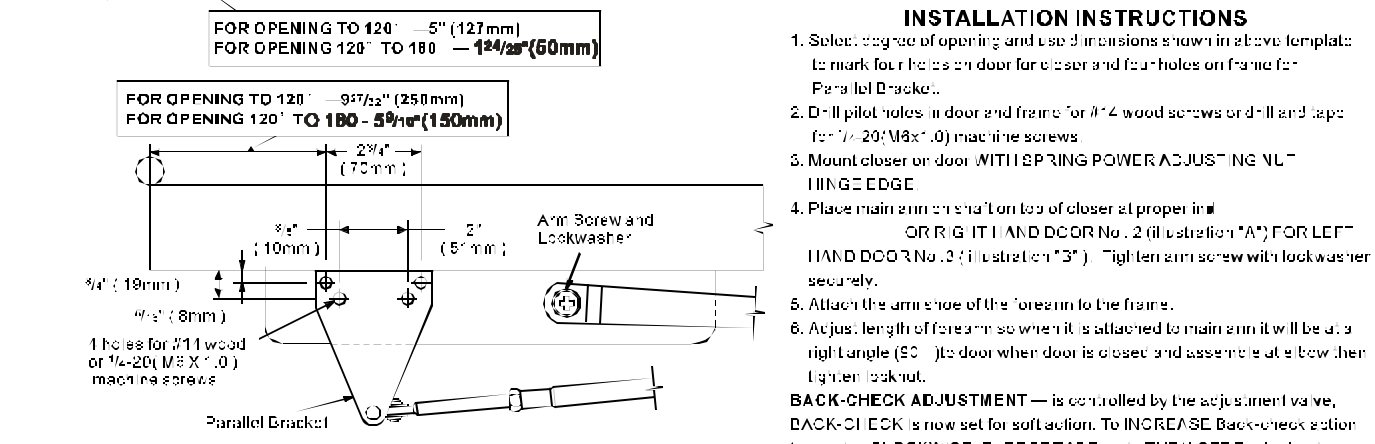
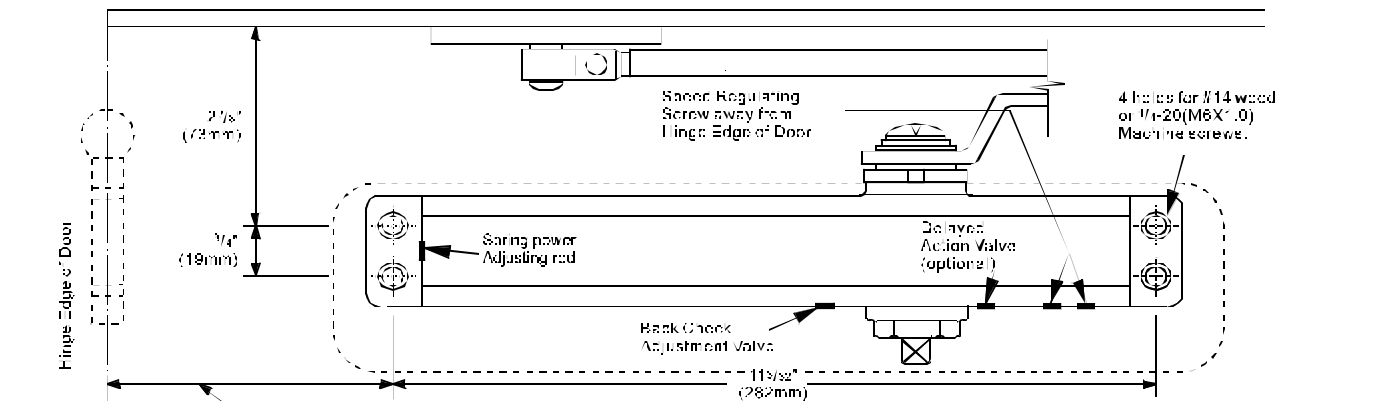
PARALLEL INSTALLATION (ON PUSH SIDE MOUNTING)

DOOR SELECTION

THIS IS A LEFT HAND DOOR THIS IS A RIGHT HAND DOOR

Series 5300 RH

Series 5300 LH



INSTALLATION INSTRUCTIONS

- Select degree of opening and use dimensions shown in above template to mark four holes on door for closer and four holes on frame for Parallel Bracket.
- Drill pilot holes in door and frame for #14 wood screws or drill and tap for 1/4-20 (M6x1.0) machine screws.
- Mount closer on door WITH SPEED REGULATING SCREW TOWARD HINGE EDGE.
- Place main arm on shaft on top of closer at proper index mark OR RIGHT HAND DOOR No. 2 (illustration "A") FOR LEFT HAND DOOR No. 3 (illustration "B"). Tighten arm screw with lockwasher securely.
- Attach the arm shoe of the forearm to the frame.
- Adjust length of forearm so when it is attached to main arm it will be at a right angle (90°) to door when door is closed and assemble at elbow then tighten locknut.

BACK-CHECK ADJUSTMENT — is controlled by the adjustment valve. BACK-CHECK is now set for soft action. To INCREASE Back-check action turn valve CLOCKWISE. To DECREASE or to TURN OFF Back-check action turn valve COUNTERCLOCKWISE.

DELAYED CLOSING ACTION — is controlled by the Delayed Closing Action Adjustment Valve marked DA on the closer. Delayed Closing Action is now turned off. To TURN ON, or to INCREASE Delayed Closing Action turn valve CLOCKWISE to desired delay time. To DECREASE, or to TURN OFF Delayed Closing Action turn valve COUNTERCLOCKWISE.

DRESS COVER — Cut out correct notch for shaft, and place dress cover over closer. Attach with brass head machine screw provided, or push COVER CAP over shaft without DRESS COVER.

