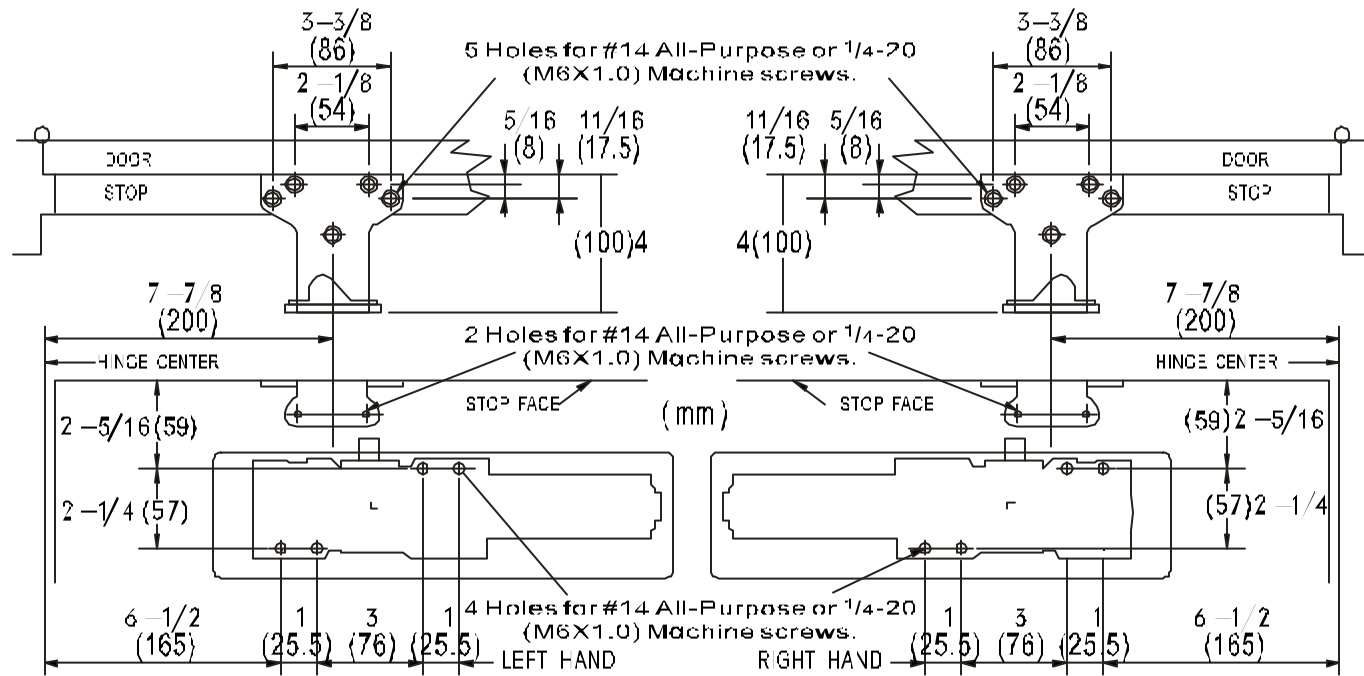


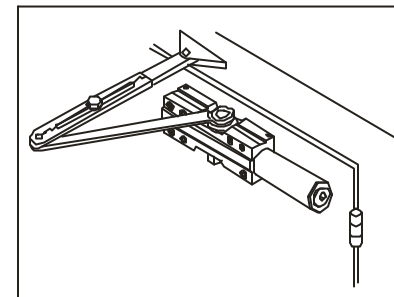
MOUNTED STOP FACE (PUSH SIDE) PARALLEL ARM
 IF RAIL IS LESS THAN 6", A DROP PLATE (AVAILABLE FROM DEALER)
 WILL BE REQUIRED. (180° MAX)



BEFORE INSTALLING MOUNTED STOP FACE (PARALLEL ARM) TURN BACKCHECK SELECTOR VALVE (FOUND ON OPPOSITE SIDE OF CLOSER FROM REGULATING SCREW SIDE) ALL THE WAY IN (CLOCKWISE)!

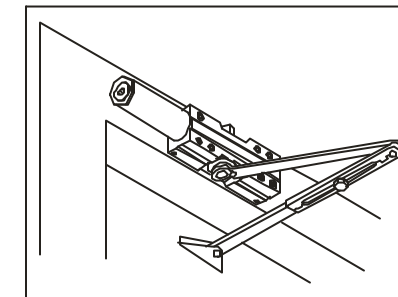
ADJUSTABLE POWER DOOR CLOSER INSTALLATION & INSTRUCTION SHEET

door closers can be installed **THREE** different ways. There is a proper closer application for every door. Consult Hardware Schedule or Hardware Supplier for preferred mounting.



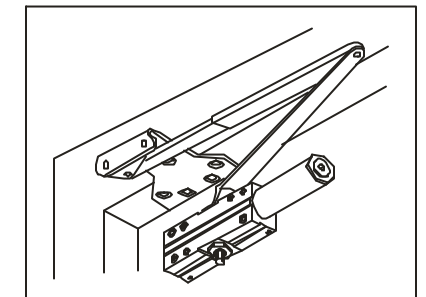
**MOUNTED ON HINGE
 FACE (PULL SIDE)**

Permit 120° maximum opening
 See page 2



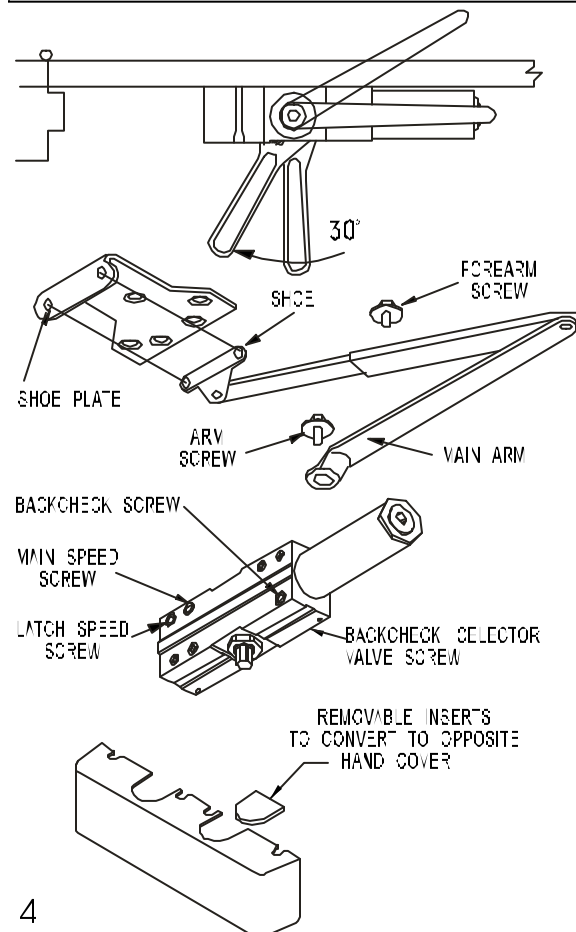
**MOUNTED OVER DOOR
 FACE (PUSH SIDE)**

Permit 120° maximum opening
 See page 3



**MOUNTED ON STOP
 FACE (PUSH SIDE)
 PARALLEL ARM**

Permit 180° maximum opening
 See page 4



INSTALLATION STEPS

1. Adjust spring power to match door width as indicated by chart on page 1.
2. Mount closer on door to dimensions shown, tube end toward latch. Locate closer and shoe from center of hinge.
3. Attach arm as follow:
 - (A) Place open end wrench on bottom shaft & turn toward hinge jamb about 30°.
 - (B) Place main arm on top shaft, insert arm screw into top of shaft and tighten.
4. Attach PA shoe plate to stop as shown.
5. Attach rod and shoe to stop plate as shown. (offset toward hinge)
6. Open door and insert rod in forearm, closer door
7. With main arm parallel to door, insert forearm screw and tighten.

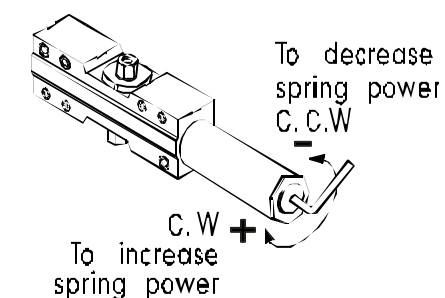
REGULATION BACKCHECK ATTACH COVER CAUTION

AS SAME AS PAGE 2 OR PAGE 3

GENERAL NOTES

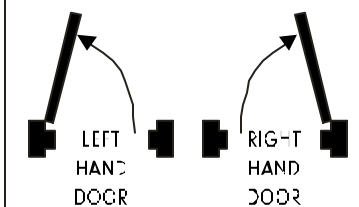
The closer is non-handed and designed to meet entrance accessibility requirement. Before installation, determine hand of door first. Then select degree of opening door. Refer to the drawing (right and over). The 4500 closer can be adjusted to handle all exterior doors up to 4'0" and interior doors up to 5'0" wide. Adjust the spring power as shown before installing the closer. Turn the spring adjustment nut clockwise or counter-clockwise the required number of turns to match door width as indicated in chart below.

MAXIMUM DOOR WIDTH		FULL TURNS REQUIRED
EXTERIOR DOORS	INTERIOR DOORS	
	30"	5TURNS C.C.W
	34"	-2TURNS C.C.W
30"	38"	0TURNS
36"	48"	5TURNS C.W
42"	54"	10TURNS C.W
48"	60"	15TURNS C.W

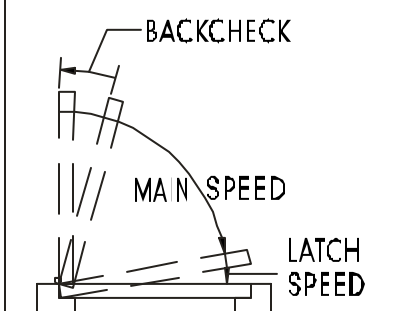


Adjust spring power DO NOT exceed the maximum turns in either direction!

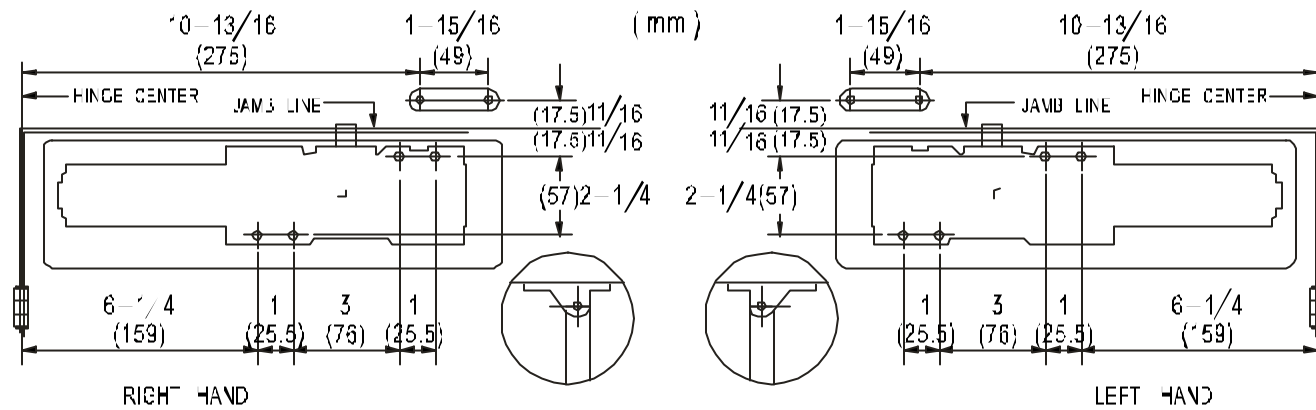
HOW TO TELL HAND OF DOOR



CLOSER CONTROL DIAGRAM



MOUNTED ON HINGE FACE OF DOOR (PULL SIDE)
 IF DOOR TOP RAIL IS LESS THAN 33/4" A DROP PLATE
 (AVAILABLE FROM DEALER) WILL BE REQUIRED. (120° MAX)



1 Hole for #1/4 All-Purpose or 1/4-20 (M6X1.0) machine screws.
 2 Holes for #1/4 All-Purpose or 1/4-20 (M6X1.0) machine screws.

INSTALLATION STEPS

1. Adjust spring power to match door width as indicated by chart on page 1.
2. Mount closer on door to dimensions shown. Tube end toward hinge. Locate closer and shoe from center of hinge.
3. Place main arm on top shaft, about 90° to closer, insert arm screw into top of shaft and tighten.
4. Attach shoe to frame as shown. If more latching Power is required, rotate shoe 180°.
5. Open door and insert rod in forearm, close door.
6. With forearm at right angle to door, insert forearm screw and tighten.

REGULATION

7. Do not allow door to slam into frame. A "Normal" closing time from 90° open position is from 5 to 7 seconds, evenly divided between main swing speed and latch swing speed. Use socket key (furnished) to adjust speed. To slow main speed of door, turn regulating screw nearest shaft clockwise. To slow latch speed, turn regulating screw nearest latch clockwise.

BACKCHECK

To increase backcheck intensity turn regulating screw nearest hinge clockwise. DO NOT USE ABRUPT BACKCHECK OR EXPECT DOOR CLOSER TO ACT AS A DOOR STOP.

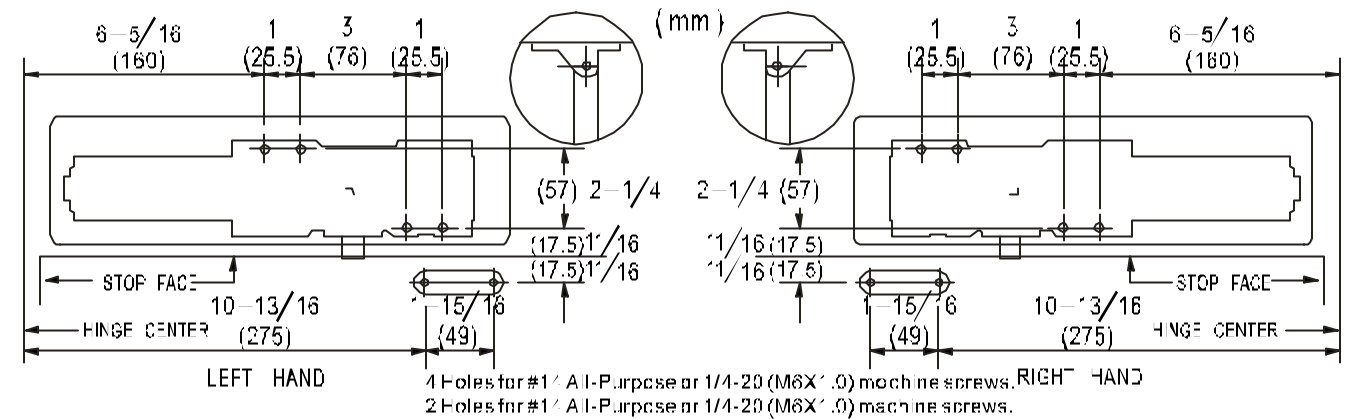
ATTACH COVER

8. First, place inserts in proper cutouts, push cover against door frame and tighten both cover screws securely.

CAUTION

⚠ IMPROPER INSTALLATION OR REGULATION MAY RESULT IN PERSONAL INJURY OR PROPERTY DAMAGE. FOLLOW ALL INSTRUCTIONS CAREFULLY PLEASE.

MOUNTED OVER DOOR (PUSH SIDE)
 ADAPTER PLATES ARE REQUIRED WITH MOST INSTALLATIONS.
 (AVAILABLE FROM DEALER) (120° MAX)



1 Hole for #1/4 All-Purpose or 1/4-20 (M6X1.0) machine screws. RIGHT HAND
 2 Holes for #1/4 All-Purpose or 1/4-20 (M6X1.0) machine screws.

INSTALLATION STEPS

1. Adjust spring power to match door width as indicated by chart on page 1.
2. Mount closer on frame to dimensions shown. Tube end toward hinge. Locate closer and shoe from center of hinge.
3. Place main arm on top shaft, about 90° to closer, insert arm screw into top of shaft and tighten.
4. Attach shoe to door as shown. If more latching power is required, rotate shoe 180°.
5. Open door and insert rod in forearm, close door. If reveals is wider, use extra long rod. (available from dealer)
6. With forearm at right angle to door, insert forearm screw and tighten.

REGULATION

7. Do not allow door to slam into frame. A "Normal" closing time from 90° open position is from 5 to 7 seconds, evenly divided between main swing speed and latch swing speed. Use socket key (furnished) to adjust speed. To slow main speed of door, turn regulating screw nearest shaft clockwise. To slow latch speed, turn regulating screw nearest latch clockwise.

BACKCHECK

To increase backcheck intensity turn regulating screw nearest hinge clockwise. DO NOT USE ABRUPT BACKCHECK OR EXPECT DOOR CLOSER TO ACT AS A DOOR STOP.

ATTACH COVER

8. First, place inserts in proper cutouts, push cover against door frame and tighten both cover screws securely.

CAUTION

⚠ IMPROPER INSTALLATION OR REGULATION MAY RESULT IN PERSONAL INJURY OR PROPERTY DAMAGE. FOLLOW ALL INSTRUCTIONS CAREFULLY PLEASE.

