

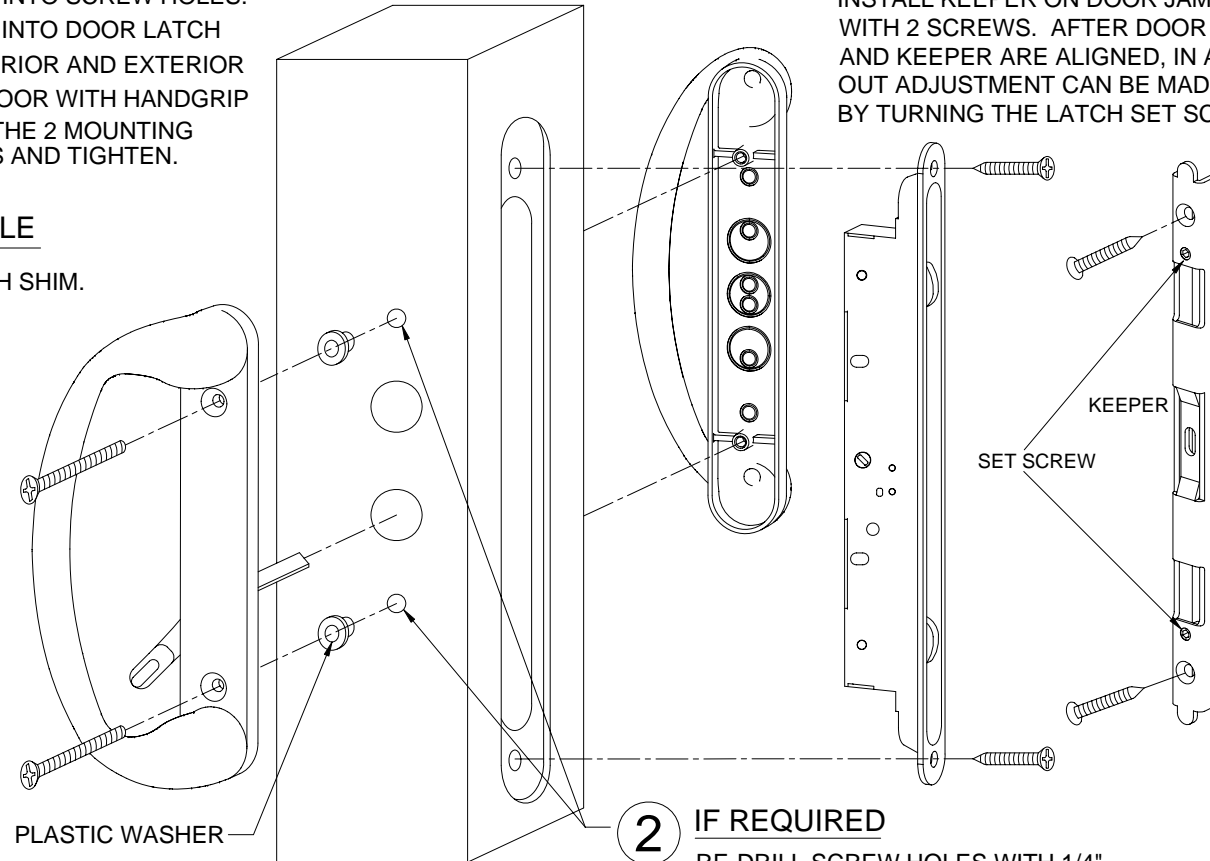
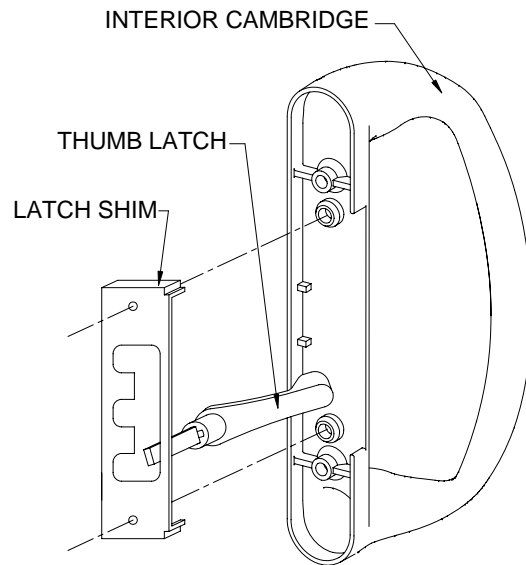
# INSTALLATION INSTRUCTION

## 3 HANDLE INSTALLATION

INSERT PLASTIC WASHERS INTO SCREW HOLES. INSERT THUMB LATCH TAIL INTO DOOR LATCH HUB SLOT. PLACE THE INTERIOR AND EXTERIOR HANDLE ASSEMBLIES ON DOOR WITH HANDGRIP TOWARDS GLASS. INSERT THE 2 MOUNTING SCREWS THROUGH PLATES AND TIGHTEN.

## 1 ASSEMBLE INTERIOR HANDLE

ASSEMBLE THE THUMB LATCH AND LATCH SHIM.



## 4 FRAME KEEPER:

INSTALL KEEPER ON DOOR JAMB WITH 2 SCREWS. AFTER DOOR AND KEEPER ARE ALIGNED, IN AND OUT ADJUSTMENT CAN BE MADE BY TURNING THE LATCH SET SCREW.

## 2 IF REQUIRED

RE-DRILL SCREW HOLES WITH 1/4" DRILL, DRILL FROM EXTERIOR OF DOOR.

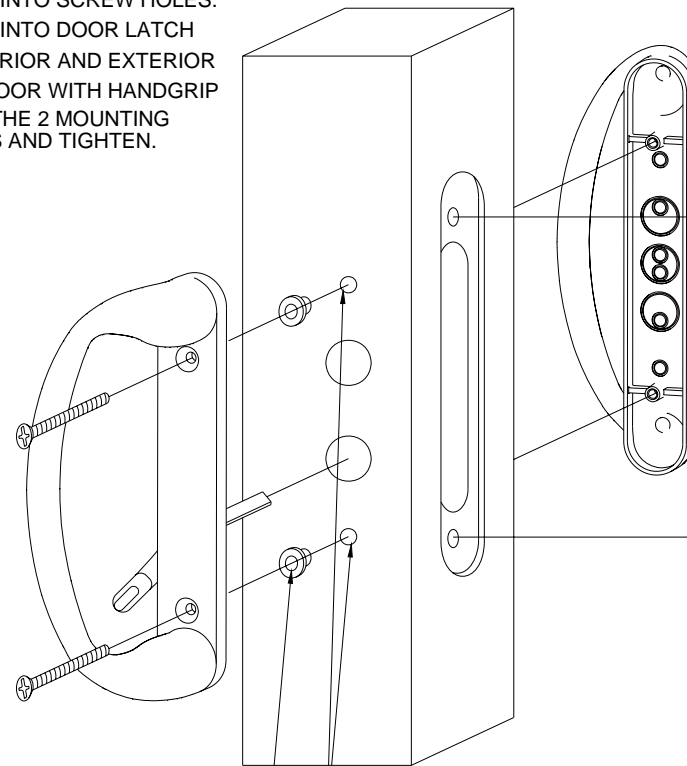
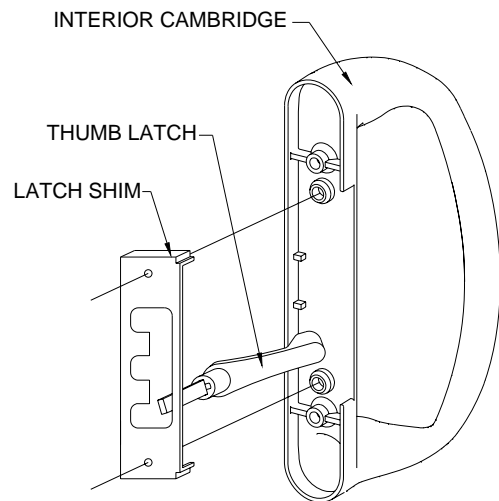
# INSTALLATION INSTRUCTION

## 3 HANDLE INSTALLATION

INSERT PLASTIC WASHERS INTO SCREW HOLES. INSERT THUMB LATCH TAIL INTO DOOR LATCH HUB SLOT. PLACE THE INTERIOR AND EXTERIOR HANDLE ASSEMBLIES ON DOOR WITH HANDGRIP TOWARDS GLASS. INSERT THE 2 MOUNTING SCREWS THROUGH PLATES AND TIGHTEN.

## 1 ASSEMBLE INTERIOR HANDLE

ASSEMBLE THE THUMB LATCH AND LATCH SHIM.



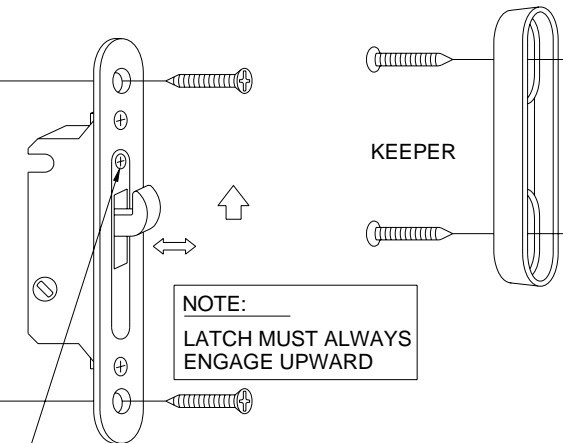
PLASTIC WASHER

## 2 IF REQUIRED

RE-DRILL SCREW HOLES WITH 1/4" DRILL, DRILL FROM EXTERIOR OF DOOR.

## 4 FRAME KEEPER:

INSTALL KEEPER ON DOOR JAMB WITH WITH 2 SCREWS. AFTER DOOR ROLLERS ARE ADJUSTED, ADJUST KEEPER FOR PROPER LATCH ENGAGEMENT BY MOVING UP & DOWN.



## 5 LATCH ADJUSTMENT:

AFTER DOOR AND KEEPER ARE ALIGNED. IN AND OUT ADJUSTMENT MAY BE MADE BY TURNING LATCH SCREW.