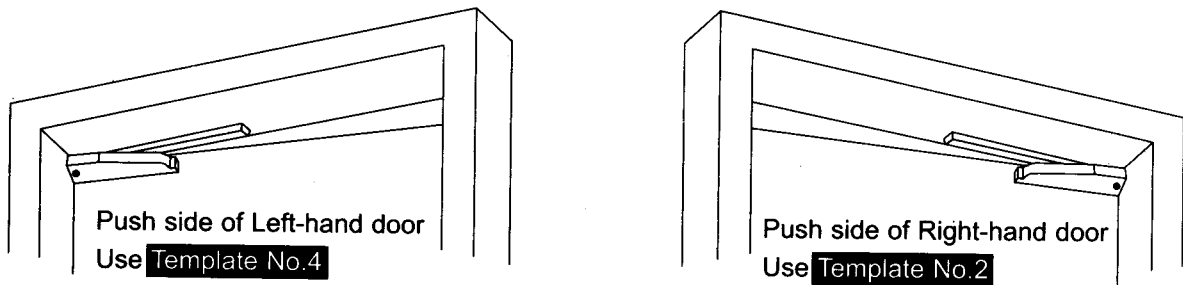
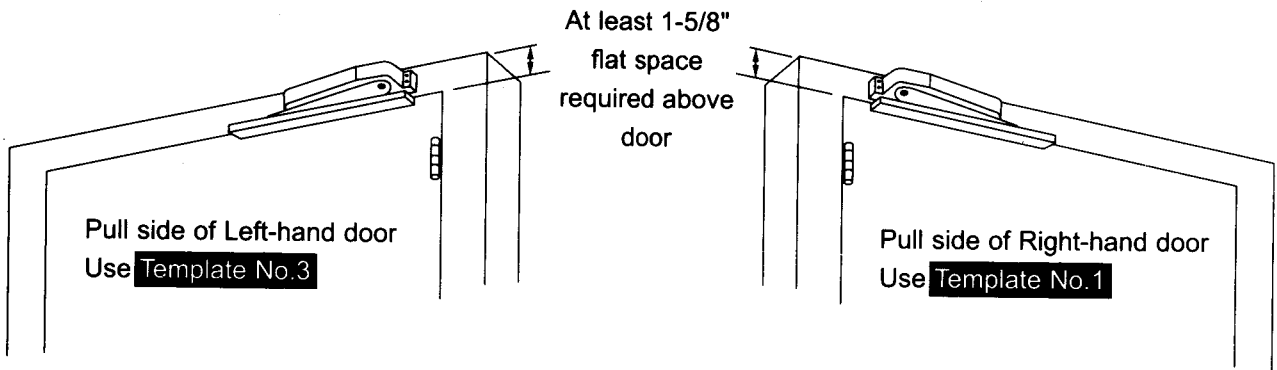
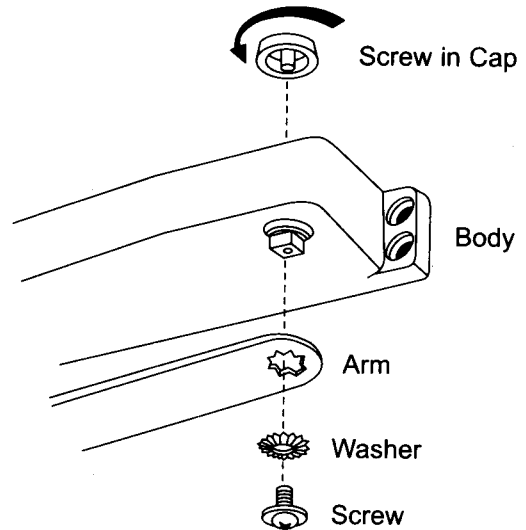


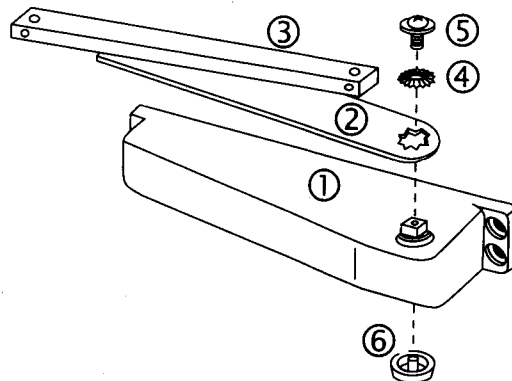
INSTALLATION INSTRUCTIONS

- Compare your door set-up with the four diagrams below to determine your correct configuration.
- For installing on the pull(hinge) side of door, there must be at least 1-5/8" flat space above the door.
- The door closer is set for the right-hand door. If you want to install it on the left-hand door, dis-assemble and then secure the parts according to the right illustration.

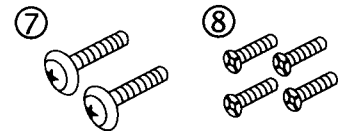


Parts List

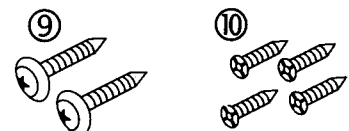
- ① Body
- ② Arm
- ③ Slider
- ④ Washer
- ⑤ Screw
- ⑥ Cap
- ⑦ Slider machine screws
- ⑧ Body machine screws
- ⑨ Slider wood screws
- ⑩ Body wood screws



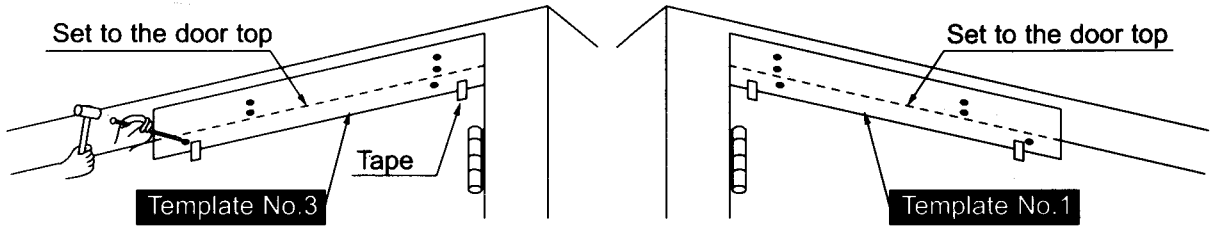
For metal doors(Aluminum, Steel)



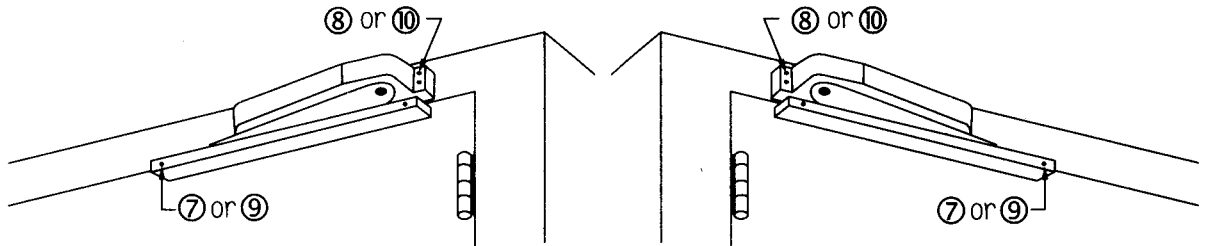
For wood door



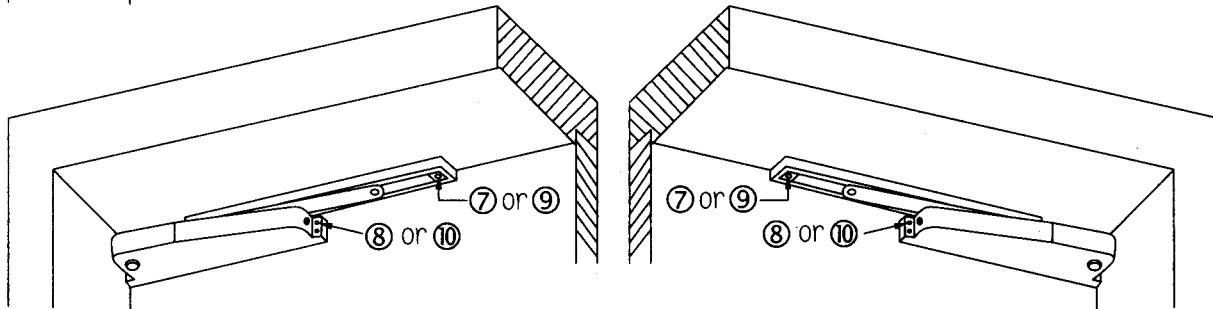
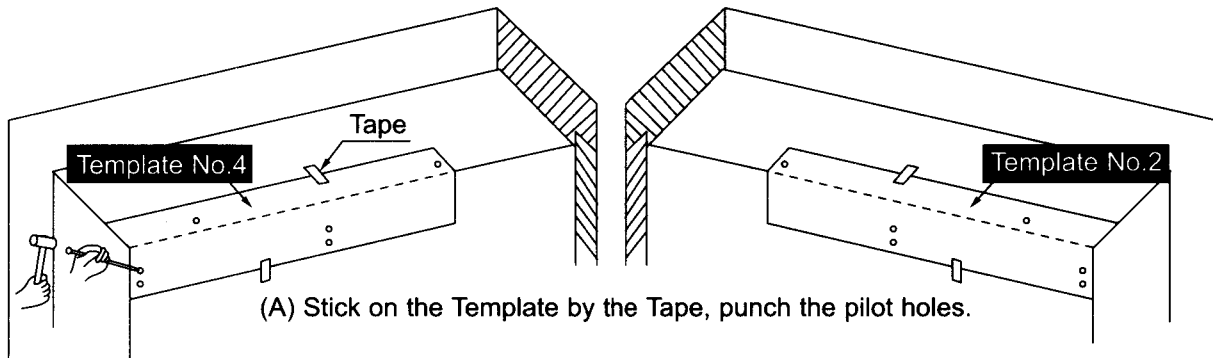
■ Installing Steps (A),(B)



(A) Stick on the Template by the Tape, punch the pilot holes.

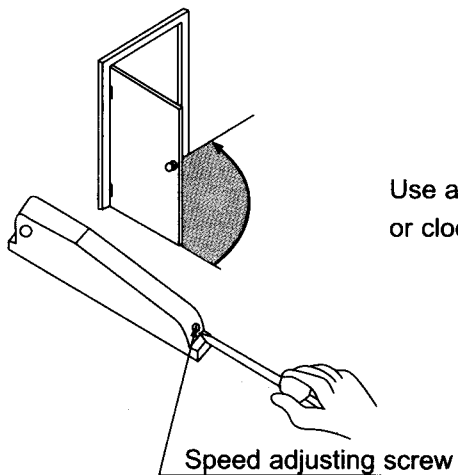


(B) Secure the Body and the Slider using 6 screws. For wood door, you may drill 1/8" holes for easier screwings.



(B) Secure the Slider screws ⑦ or ⑨, then ⑧ or ⑩, For wood doors, you may drill 1/8" holes for easier screwings.

■ Adjust your desired speed



Use a screwdriver and turn 1/4 circle anti-clockwise or clockwise at a time for faster or slower speed - as desired