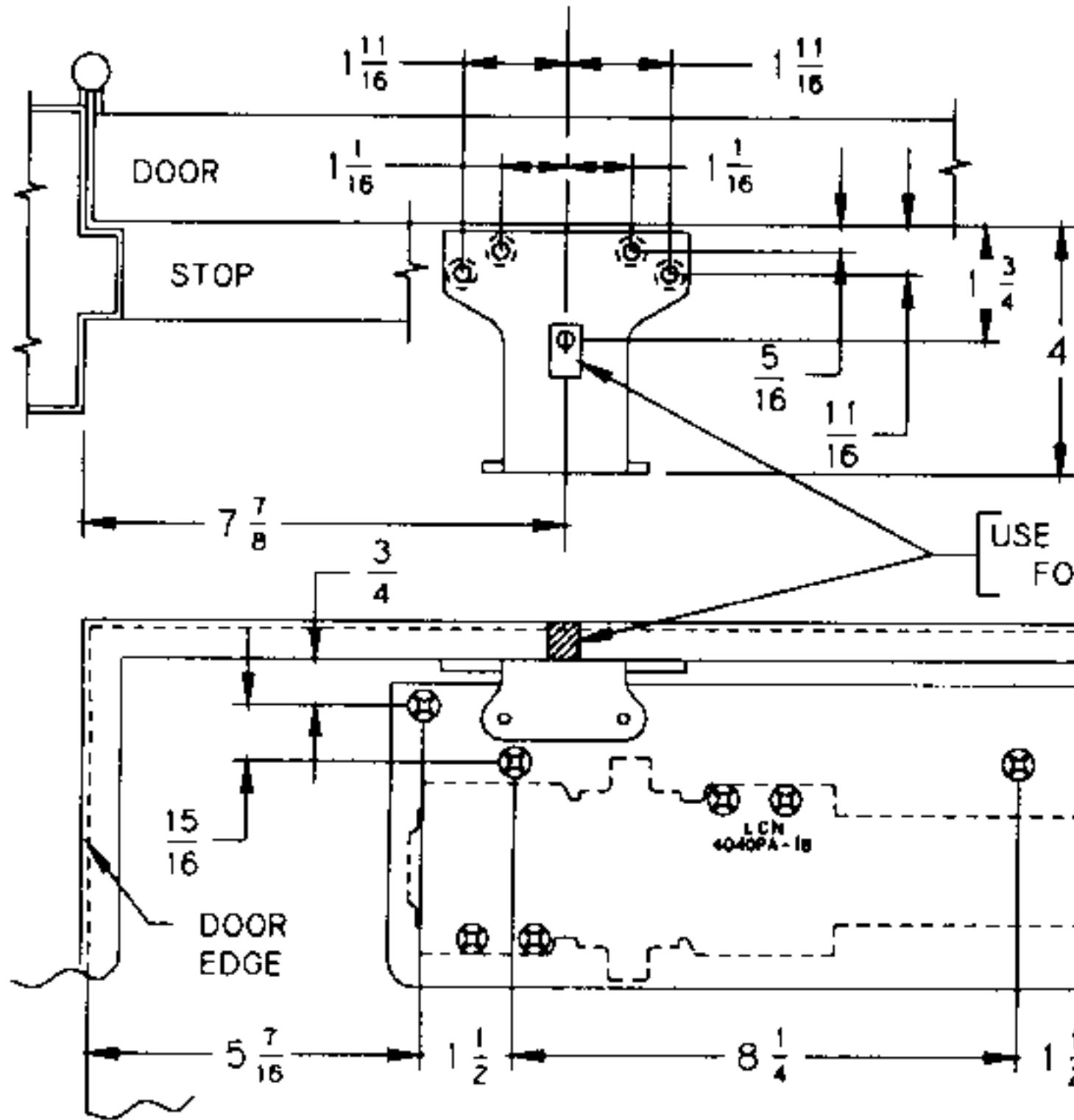


4300 PLATE TEMPLATING

PUSH SIDE MOUNTED ON 4300-18PA DROP PLATE.



IMPORTANT

USE SPACER BLOCK PROVIDED FOR FIFTH SCREW. 1/2 OR 5/8

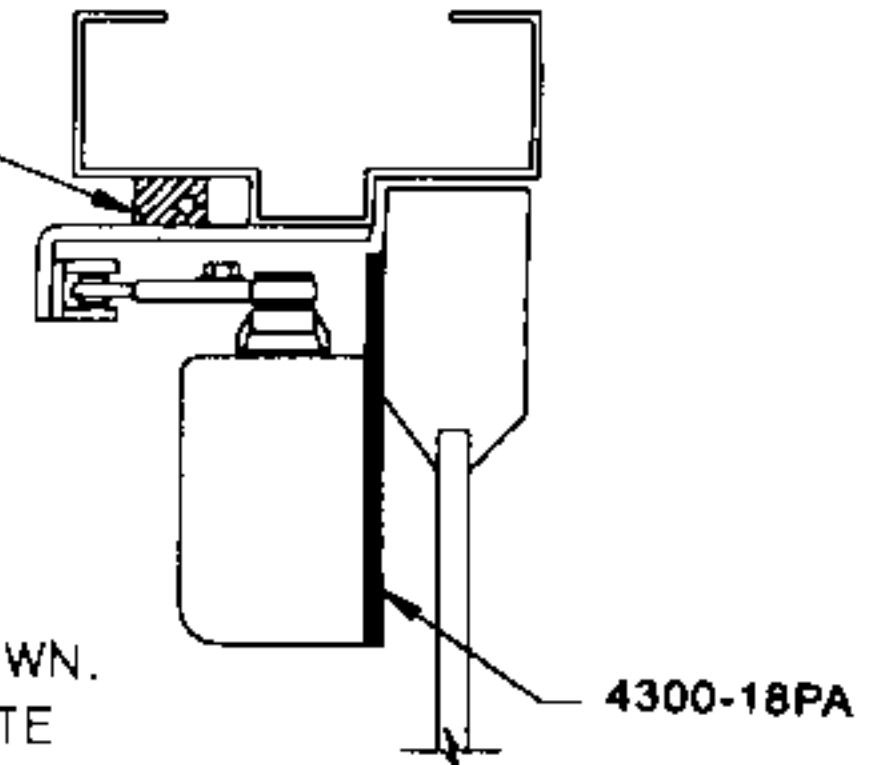
STOP FACE

DROP PLATE

LEFT HAND DOOR SHOWN.
RIGHT HAND OPPOSITE

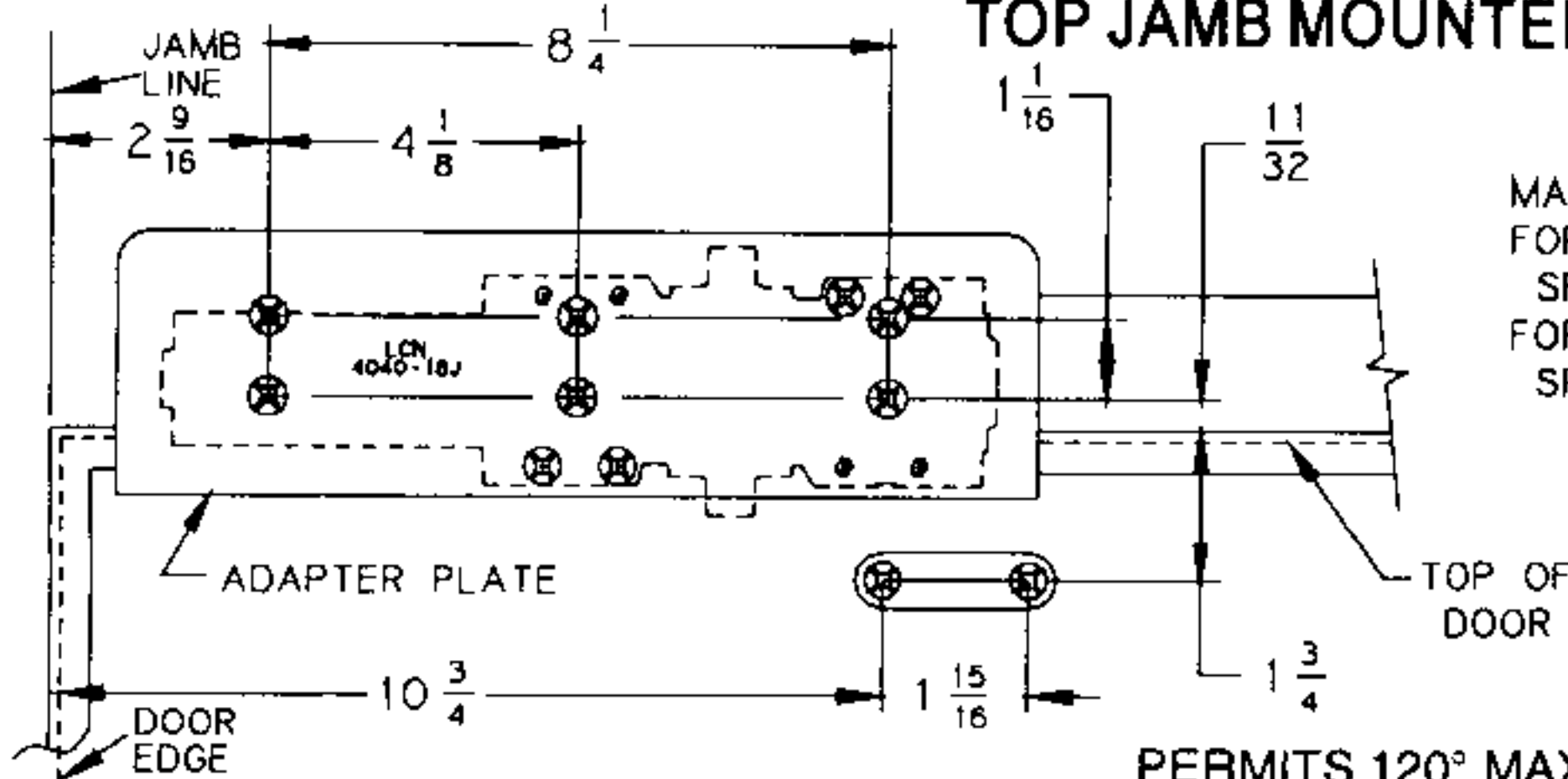
IMPORTANT

BEFORE INSTALLING CLOSER, TURN BACKCHECK SELECTOR VALVE (FOUND ON OPPOSITE SIDE OF CLOSER FROM REGULATING SCREW SIDE) ALL THE WAY IN (CLOCKWISE)



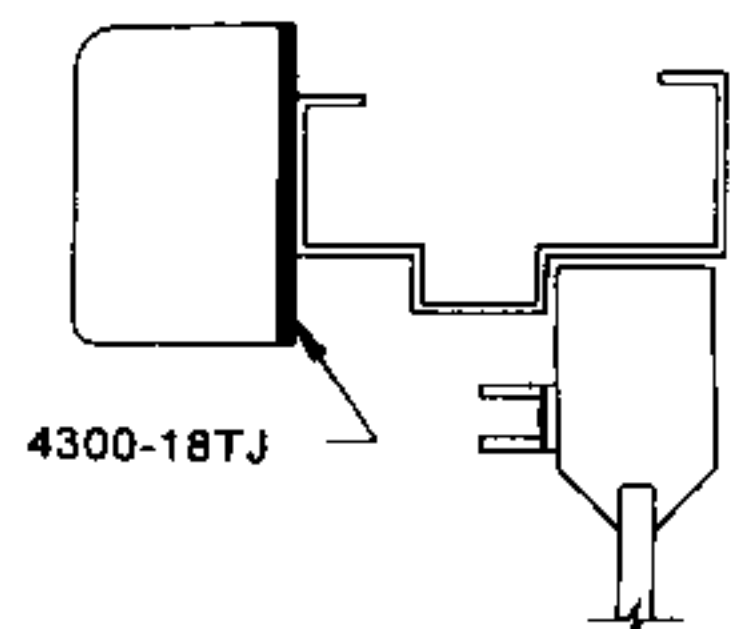
PERMITS 180° OPENING, BUTT SIZE 5x5 MAXIMUM

TOP JAMB MOUNTED ON 4300-18TJ DROP PLATE.



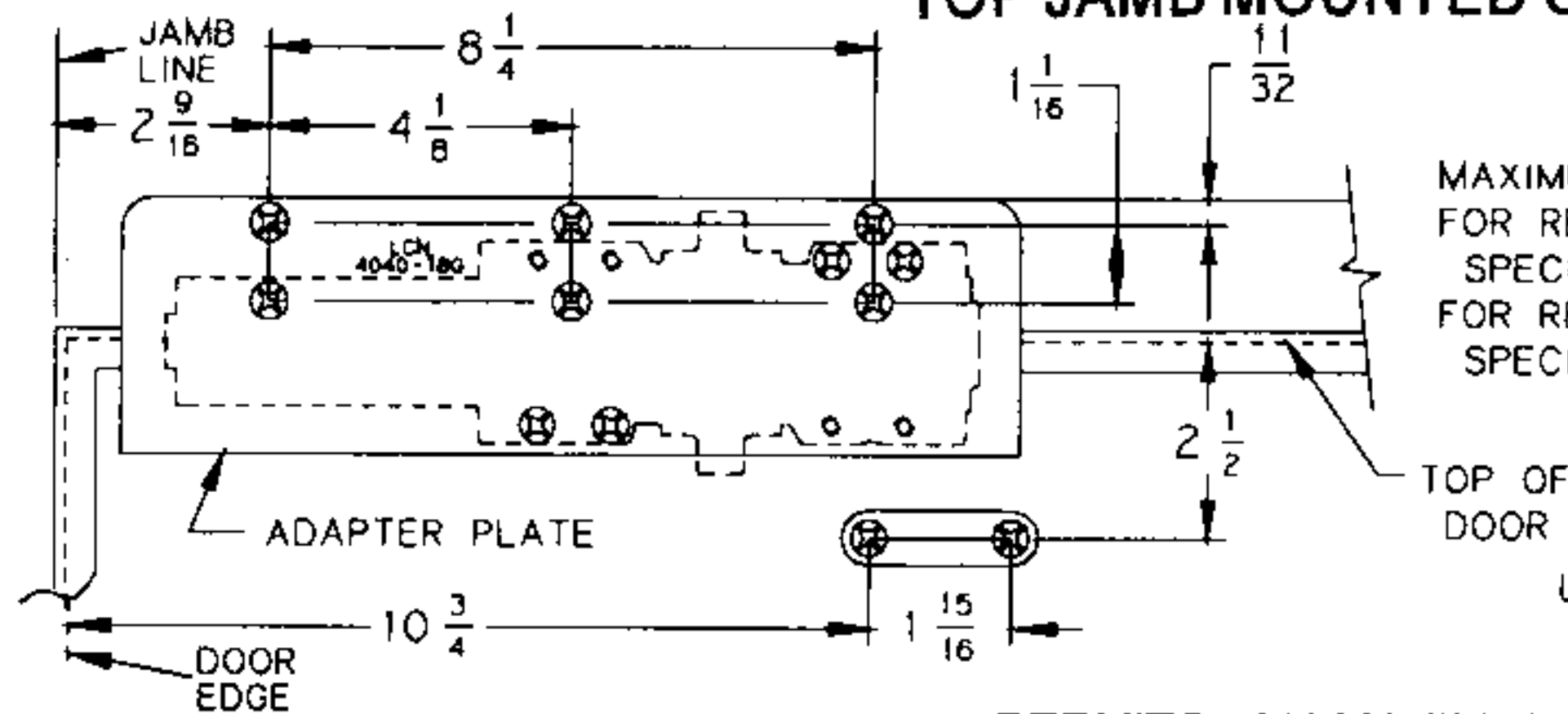
MAXIMUM REVEAL OF 2 9/16.
FOR REVEALS 2 5/8 - 4 13/16
SPECIFY LONG ROD.
FOR REVEALS 8"
SPECIFY EXTRA LONG ROD.

LEFT HAND DOOR SHOWN.
RIGHT HAND OPPOSITE



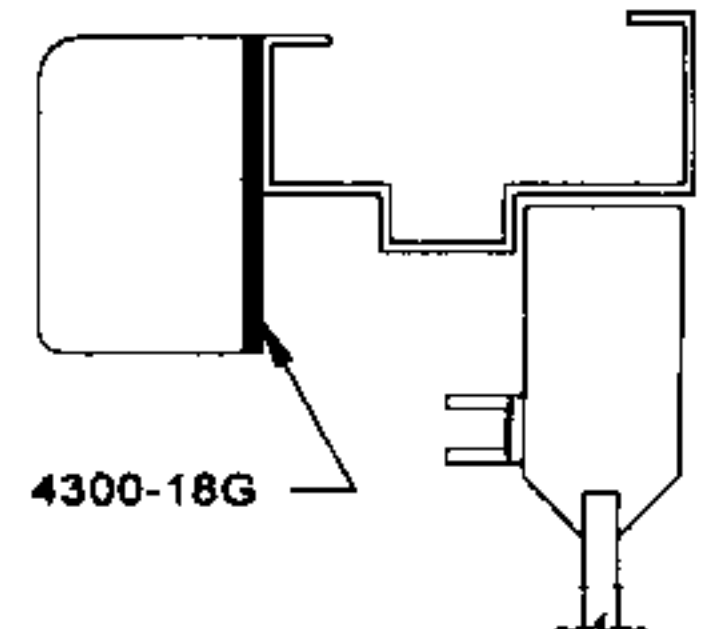
PERMITS 120° MAXIMUM OPENING

TOP JAMB MOUNTED ON 4300-18G DROP PLATE.



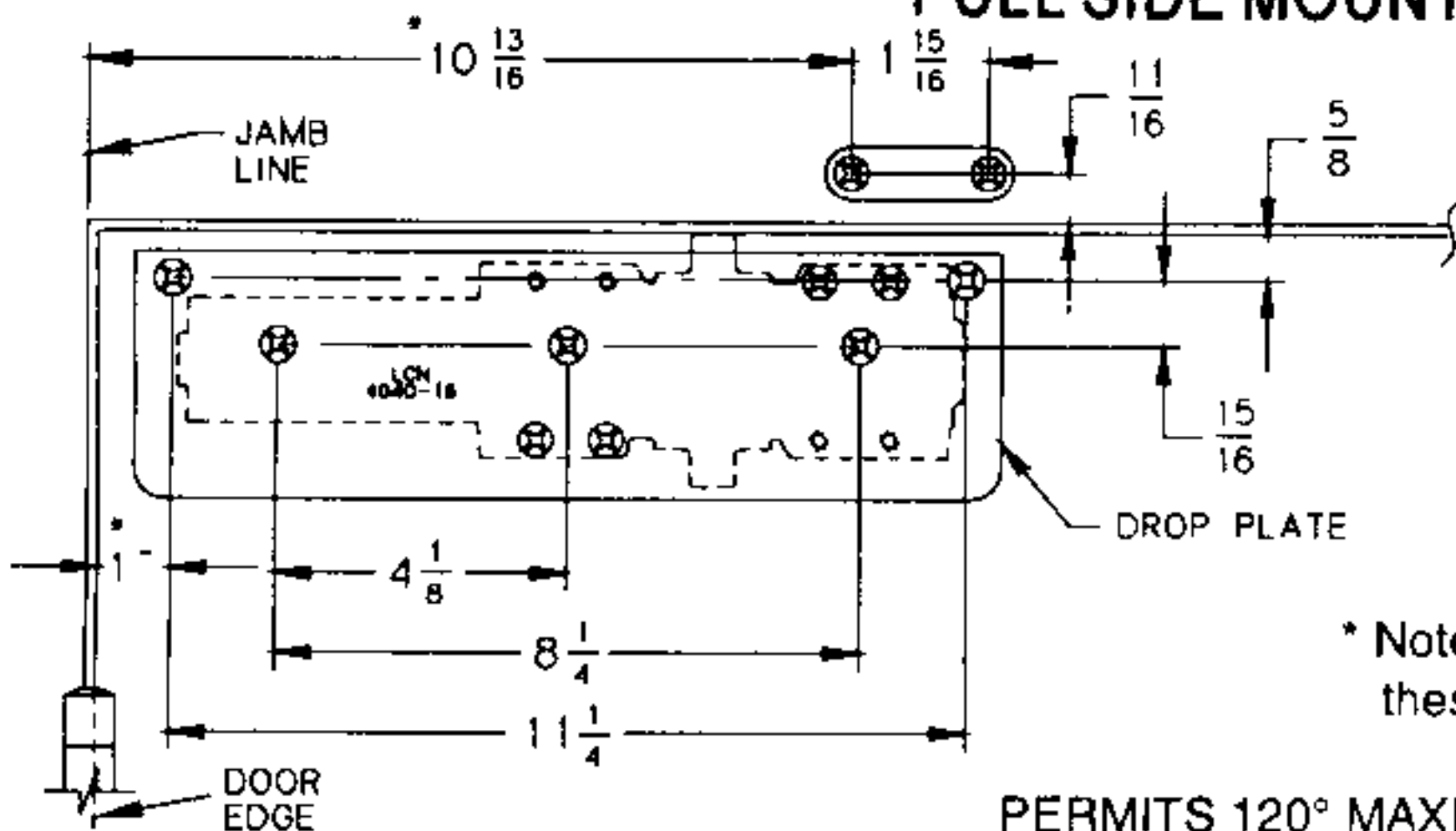
MAXIMUM REVEAL OF 2 9/16.
FOR REVEALS 2 5/8 - 4 13/16
SPECIFY LONG ROD.
FOR REVEALS 8"
SPECIFY EXTRA LONG ROD.

LEFT HAND DOOR SHOWN.
RIGHT HAND OPPOSITE



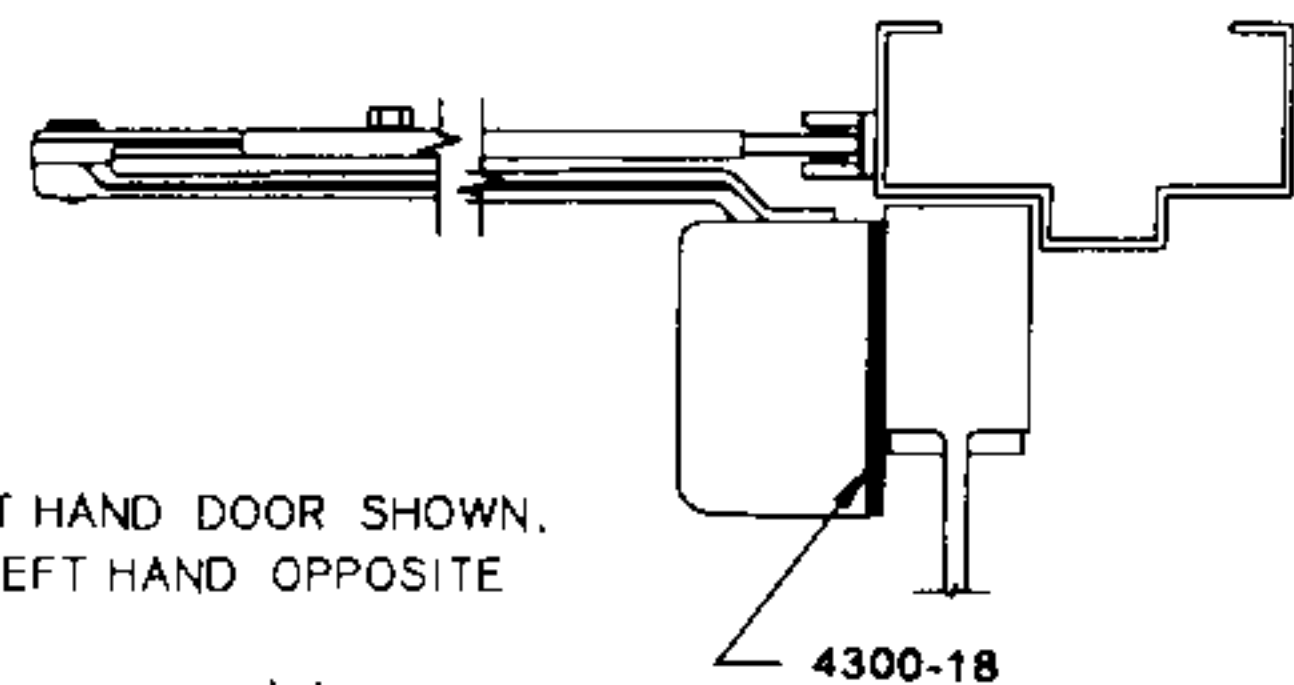
PERMITS 120° MAXIMUM OPENING

PULL SIDE MOUNTED ON 4300-18 DROP PLATE.



RIGHT HAND DOOR SHOWN.
LEFT HAND OPPOSITE

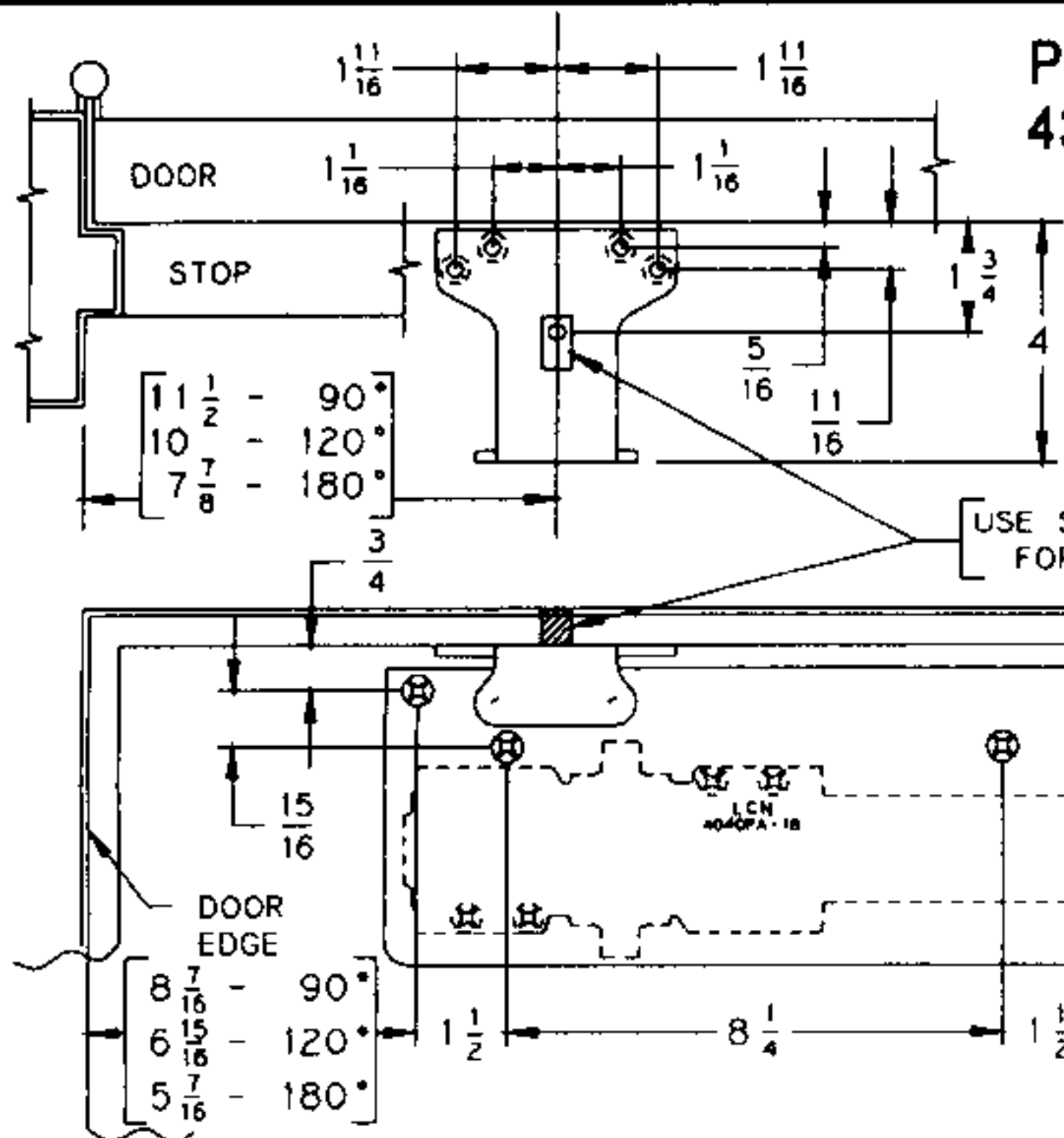
* Note: If pivots are used, increase these dimensions by 1/8".



PERMITS 120° MAXIMUM OPENING

4300 PLATE TEMPLATING

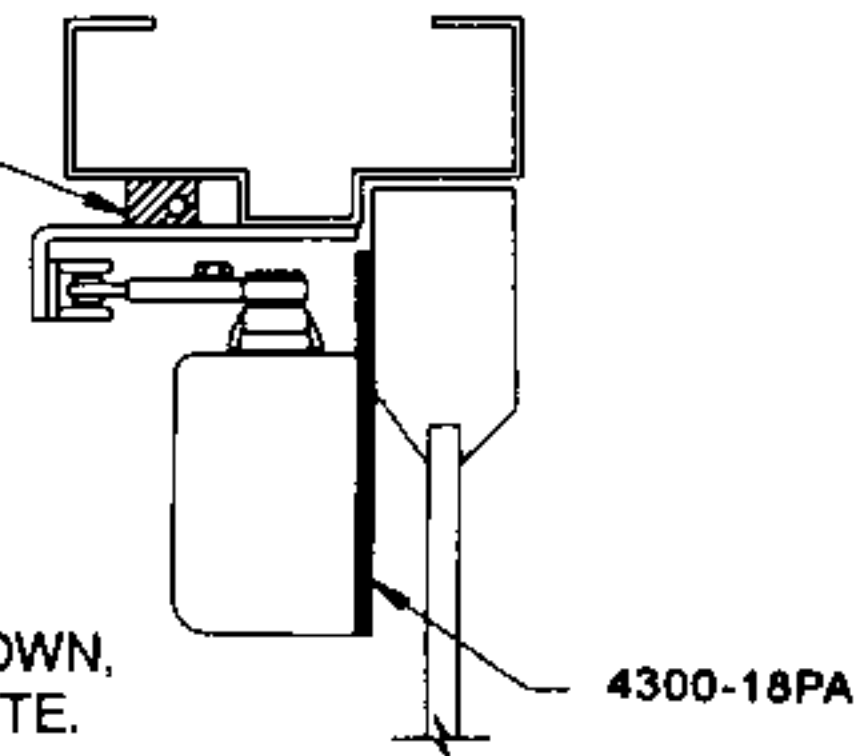
PUSH SIDE MOUNTED ON 4300-18PA DROP PLATE.



IMPORTANT
BEFORE INSTALLING CLOSER, TURN BACKCHECK SELECTOR VALVE (FOUND ON OPPOSITE SIDE OF CLOSER FROM REGULATING SCREW SIDE) ALL THE WAY IN (CLOCKWISE)

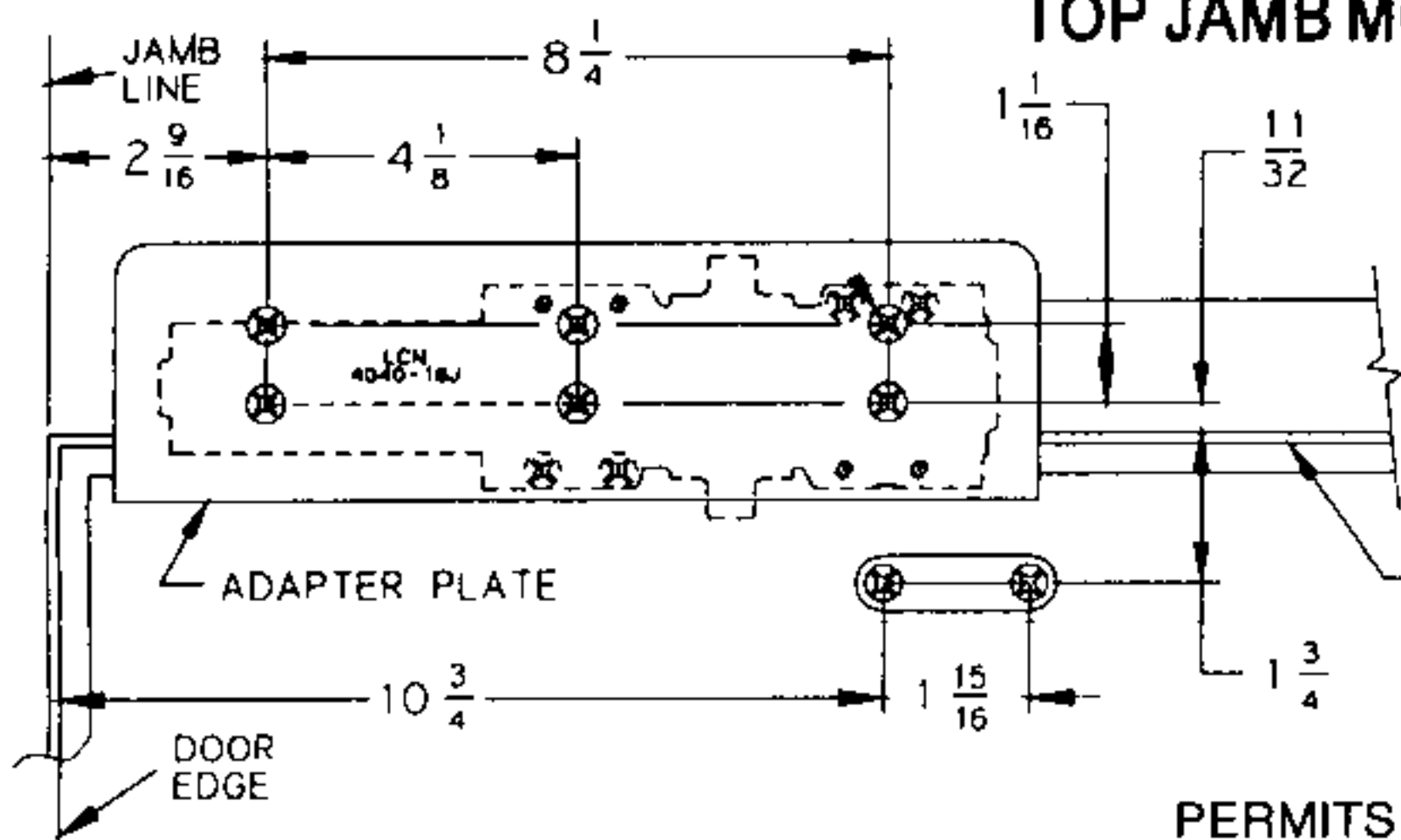
IMPORTANT

USE SPACER BLOCK PROVIDED FOR FIFTH SCREW, 1/2 OR 5/8

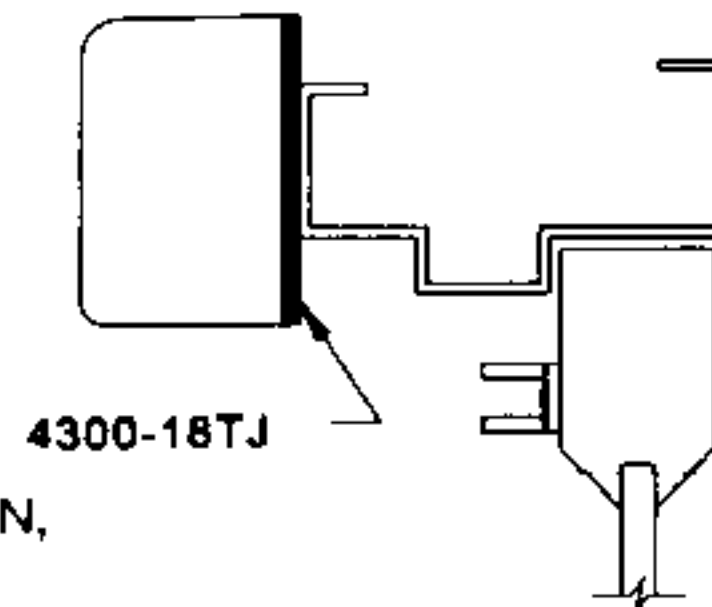


LEFT HAND DOOR SHOWN, RIGHT HAND OPPOSITE.

TOP JAMB MOUNTED ON 4300-18TJ DROP PLATE.



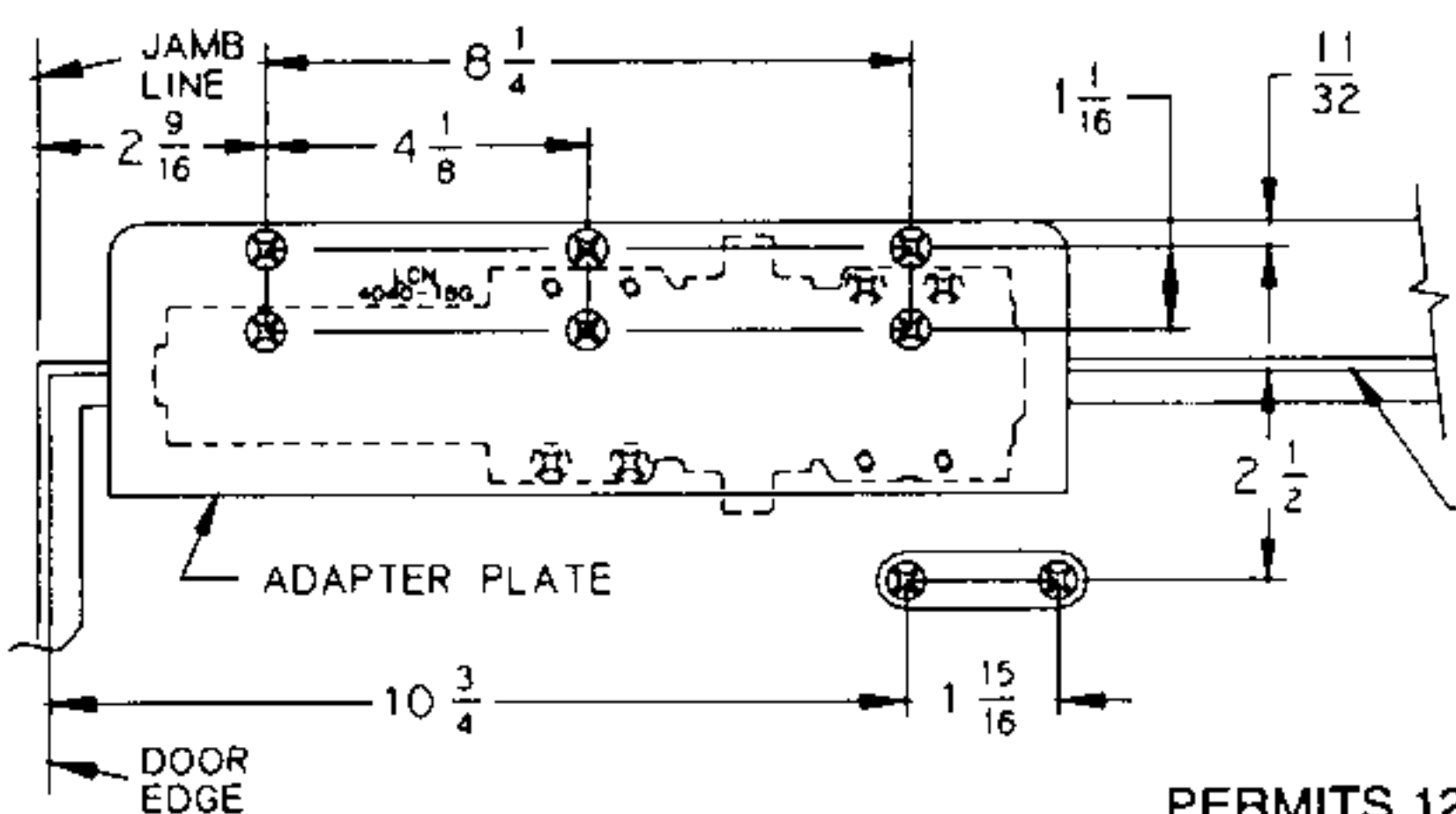
MAXIMUM REVEAL OF 2 9/16.
FOR REVEALS 2 5/8 - 4 13/16
SPECIFY LONG ROD.
FOR REVEALS 8"
SPECIFY EXTRA LONG ROD.



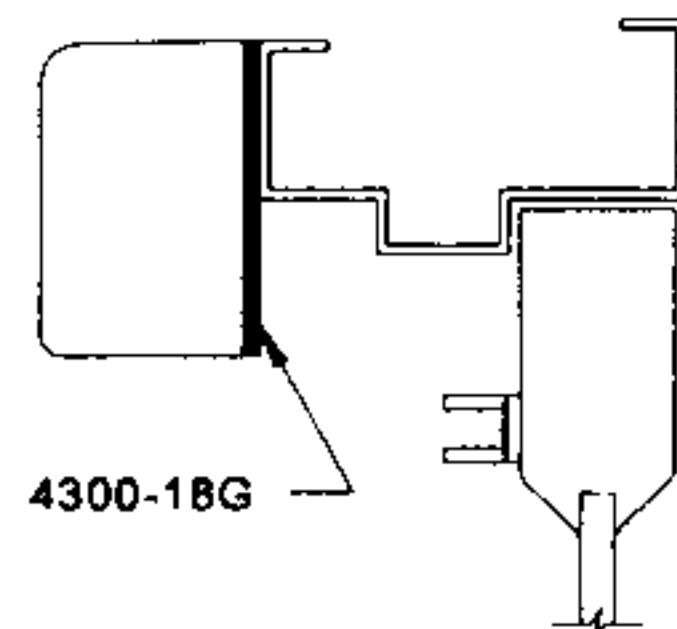
RIGHT HAND DOOR SHOWN, LEFT HAND OPPOSITE.

PERMITS 120° MAXIMUM OPENING

TOP JAMB MOUNTED ON 4300-18G ADAPTER PLATE.



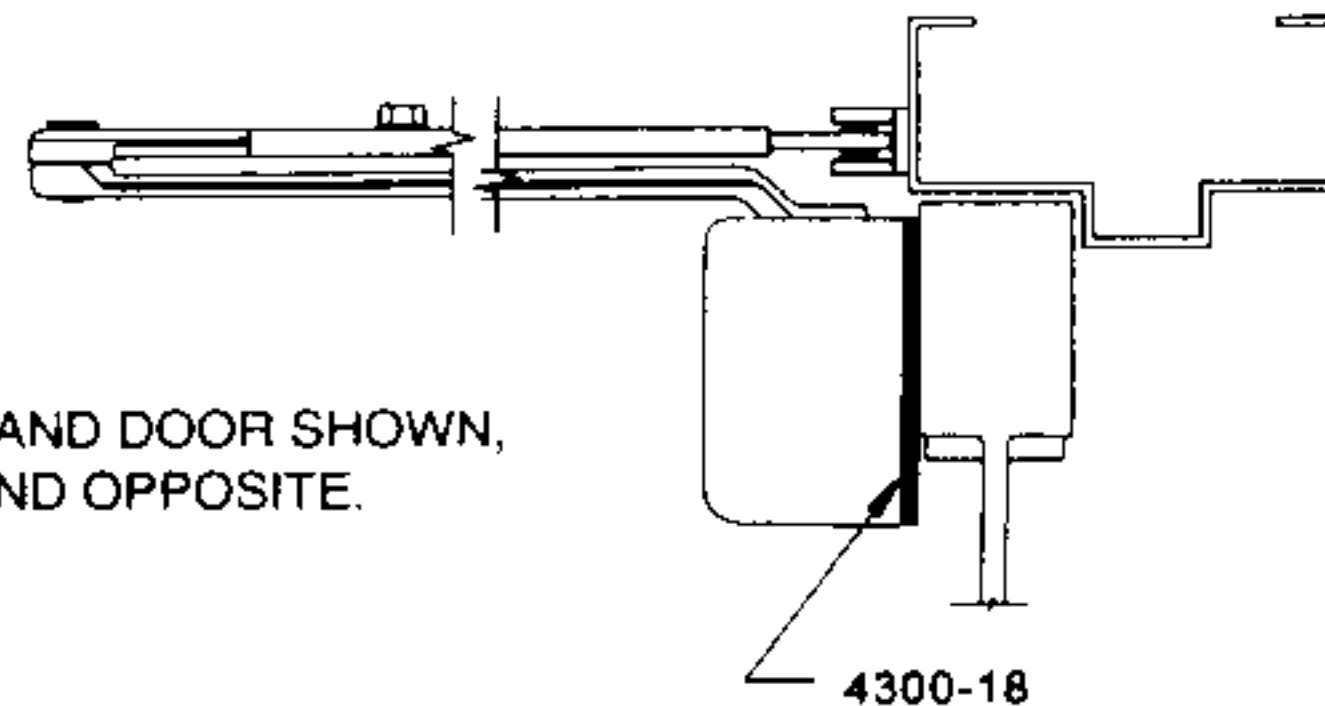
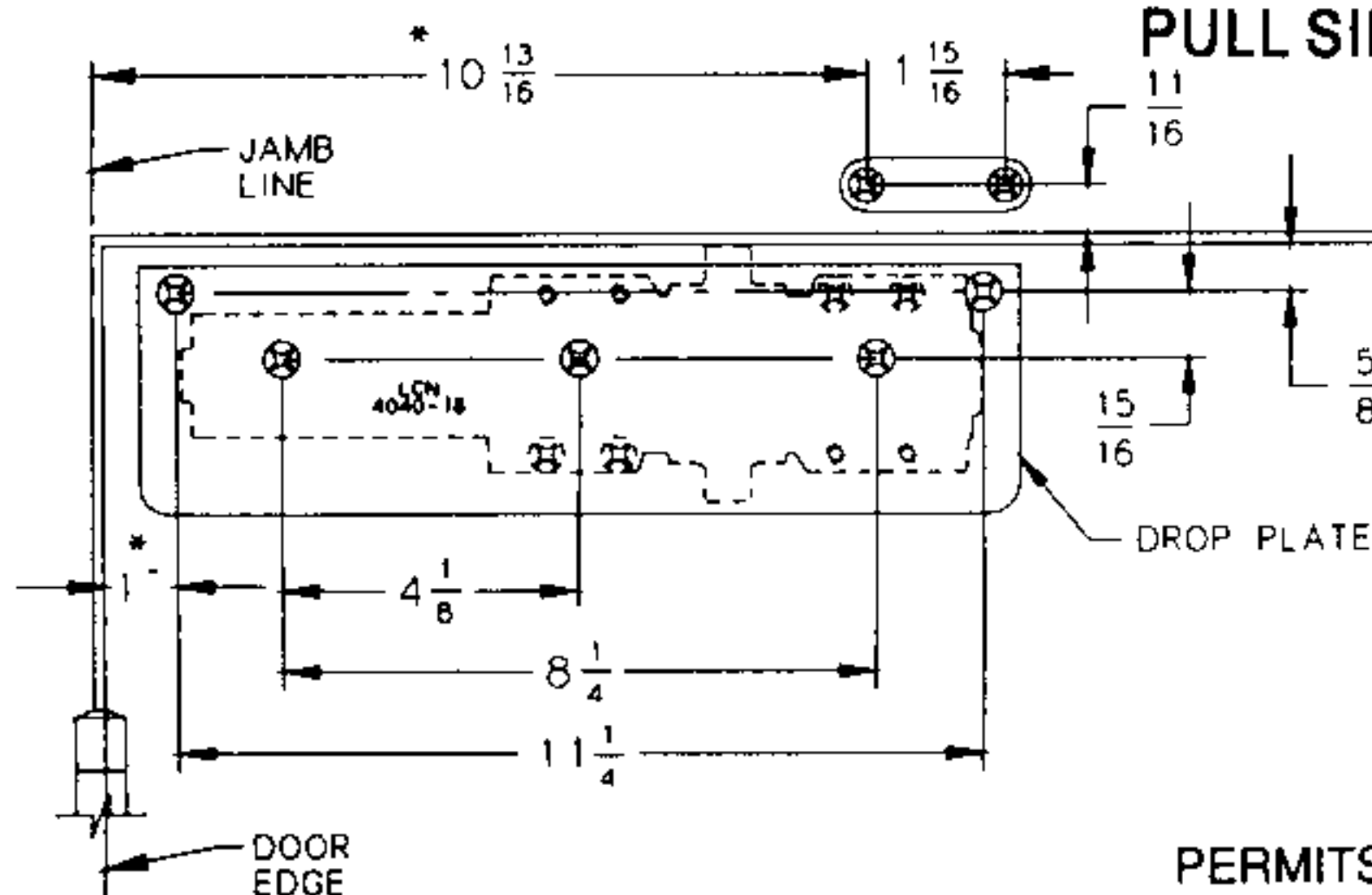
MAXIMUM REVEAL OF 2 9/16.
FOR REVEALS 2 5/8 - 4 13/16
SPECIFY LONG ROD.
FOR REVEALS 8"
SPECIFY EXTRA LONG ROD.



RIGHT HAND DOOR SHOWN, LEFT HAND OPPOSITE.

PERMITS 120° MAXIMUM OPENING

PULL SIDE MOUNTED ON 4300-18 DROP PLATE.



RIGHT HAND DOOR SHOWN, LEFT HAND OPPOSITE.

* Note: If pivots are used. Increase these dimensions by 1/8".

PERMITS 120° MAXIMUM OPENING