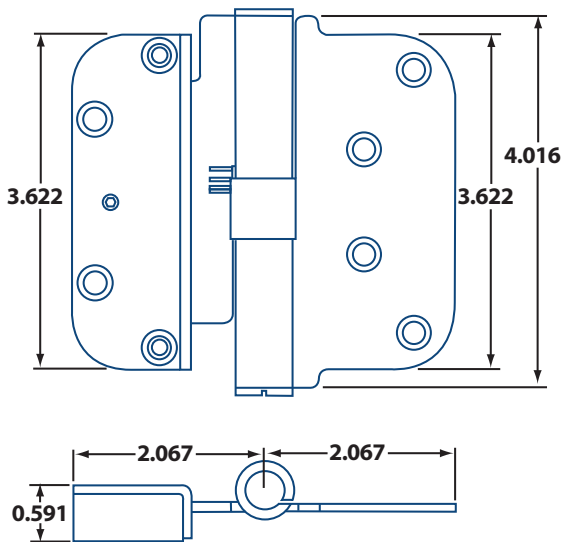
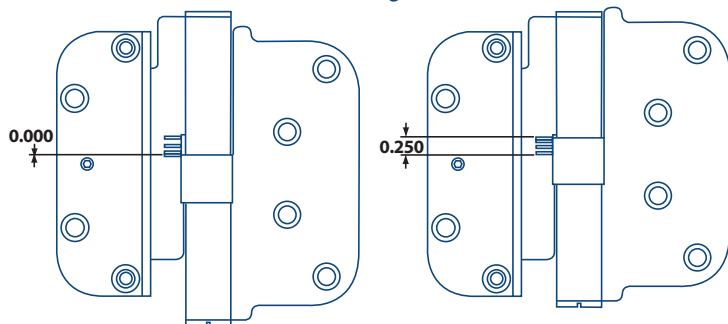


# ROCKWELL LIFT OFF ADJUSTABLE HINGE



## VERTICAL ADJUSTMENT



## HORIZONTAL ADJUSTMENT



2 way lift off hinge with Vertical and Horizontal Adjustment.

Built in pick proof feature and comes standard with a non removable pin.

Heavy duty hardened ball bearing to carry increased door weights.

One step routing simplifies door preparation.

Dual function integrated hinge applicable to both inswing and outswing doors.

2 part feature simplifies removal of door panels after hinges are installed.

1/4" vertical adjustment and a 0.142" horizontal adjustment.

Manufacture door panels and frames separately and install instantly with one operation. Additional pin locator feature for ease in re-attaching door panel to frame.

Adjustment preset in neutral position with a drift prevention feature. Hinge will not drift out of adjustment.

Meets ANSI-BHMA standard 156.1 and tested to 350000 cycles.

Available in architectural finishes.

When ordering, please note these hinges are handed.

